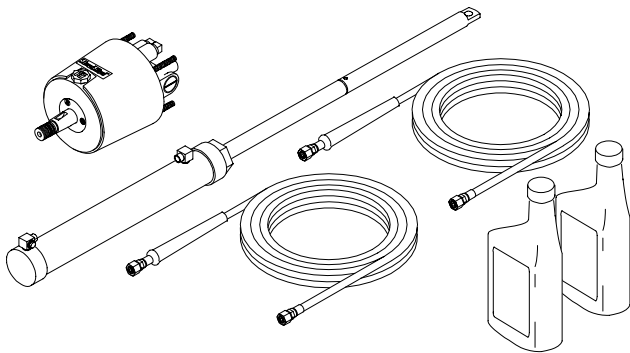


# SeaStar outboard steering

## SeaStar®

### SEASTAR® SIDE MOUNT CYLINDER OUTBOARD SYSTEM



(4.9/5.7 turns  
lock-to-lock)

DIMENSIONS: pages 160-162  
HOW TO MEASURE: page 84  
SERVICE PARTS: pages 148-156  
SUPPORT: [www.teleflexmarine.com](http://www.teleflexmarine.com)  
or call 604-270-6899

**NOTE:** When properly installed, this steering system will connect to outboard engines with ABYC standard tilt tubes, using the a drag link and the engine's tiller arm. Use only SeaStar outboard steering hoses (HO51/HO57 type) with SeaStar outboard steering systems. **Use of nylon tubing is not recommended for SeaStar outboard steering.**

**WARNING:** Do NOT use SeaStar PRO helms with the unbalanced side mount cylinder. Doing so may cause steering wheel to lock up leading to possible loss of steering causing property damage and/or personal injury.

**A great alternative for wide, shallow splashwells.** SeaStar side mount steering is a good choice for engines with threaded tilt tubes that comply with ABYC P17/NMMA/BIA standards for mechanical steering. The cylinder attaches to an engine tilt tube which meets the above standards.

## Applications:

Single and dual non-power-assisted outboard engines up to 300 HP (600 combined HP for counter-rotating duals) that have standard engine tilt tube.

Suitable for speeds up to 60 MPH and dual station use (with purchase of extra helm, hose & fittings).

Dual engines require purchase of a tie bar kit and extra hardware. For power steered engines, contact Teleflex Canada Tech Service at [www.teleflexmarine.com](http://www.teleflexmarine.com) or 604-270-6899.

SeaStar P/A™  
available!

Tilt™  
STEERING  
available!

## Features:

- Drag link design fits most engines with threaded tilt tubes. Fast, easy installation.
- Alternative to front mount cylinder where space allows, especially useful in boats with shallow splashwells.
- Suitable for use on engines with power steering.
- 4.8/5.7 turns lock-to-lock\* (unbalanced cylinder).
- Compact helm has only a 4-7/16" footprint — needs only 3" dash hole (Tilt requires larger hole).
- Standard 3/4" tapered steering shaft.
- Meets A.B.Y.C. standards.
- Meets N.M.M.A. certification requirements.

\*using SeaStar 1.7 helm

# hydraulic outboard steering, side mount cylinder

## Complete Systems:

System components sold separately. See application and ordering guides to select appropriate components.

## Components:

- SeaStar 1.7 Helm ..... HH5271
- Side Mount Outboard Cylinder ..... HC5370
- Hose Kit (2 hoses) ..... HO51\_\_
- SeaStar Oil (1 Quart Mil Spec H5006) .. HA5430

## Options:

SeaStar 2.4 Helm (see ordering guide). HH5272

- SeaStar 1.7 Sport Tilt Helm/Mech. .... HH5291
- SeaStar 1.7 Traditional Tilt Helm/Mech. HH5741
- SeaStar 2.4 Sport Tilt Helm/Mech. .... HH5292
- SeaStar 2.4 Traditional Tilt Helm/Mech. HH5742

SeaStar 1.7 Rear Mount Helm ..... HH5261

SeaStar 1.7 Commercial Duty Helm..... HH5217  
 SeaStar 2.4 Commercial Duty Helm..... HH5224  
*(Designed for small Lobster and Crabbing vessels, these helms have a stainless steel shaft with heavy duty seal and wiper, which help protect the helm from the abrasive effects of sediment brought on board with traps or pots.)*

**WARNING:** Do NOT use SeaStar PRO helms with the unbalanced side mount cylinder. Doing so may cause steering wheel to lock up leading to possible loss of steering causing property damage and/or personal injury.

SeaStar Round Bezel Kit ..... HA5417  
*(Reduces helm protrusion by 3.75")*

SeaStar Backplate Kit..... HA5418  
*(Reduces helm protrusion by thickness of dash and allows clean retrofit of SeaStar helm where following helms were previously installed: pre-1991 SeaStar, SyTen, and mechanical rotary steering)*

SeaStar 20° Dash Wedge Kit ..... HA5419

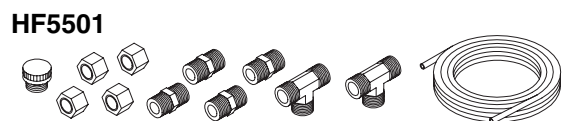
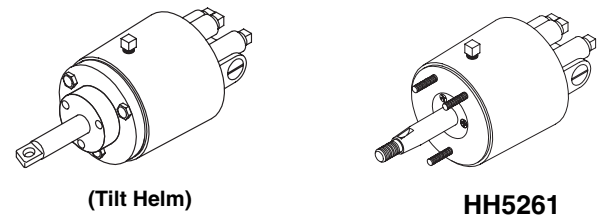
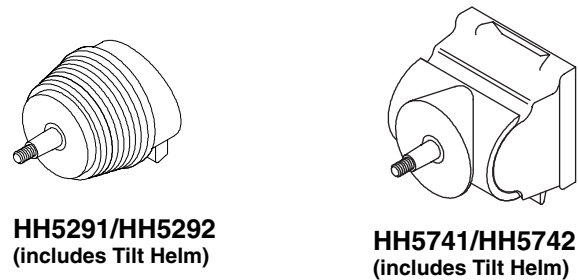
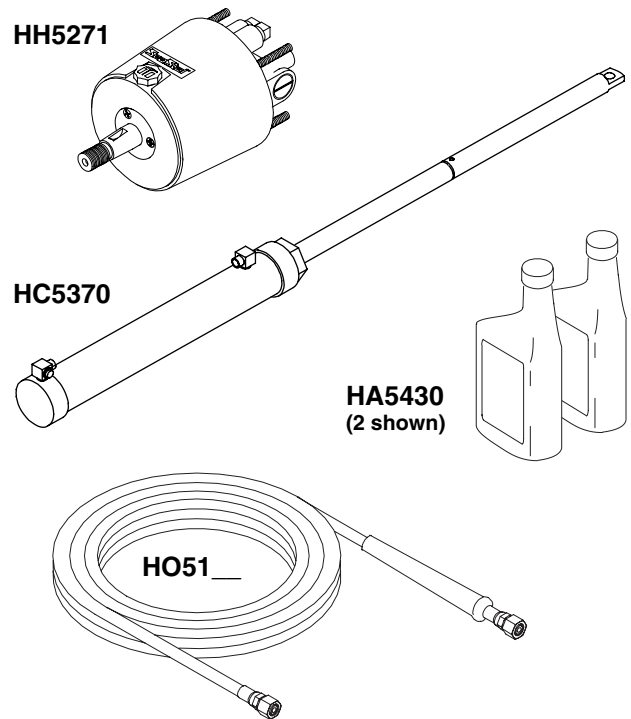
SeaStar Bulkhead Hose Kit (2 hoses) ...HO81\_\_  
*(Allows installation through a bulkhead without additional fittings. See Page 14 for more information.)*

SeaStar Twin Engine Tie Bar Kit .....HO5009  
*(See Application Guides on next two pages.)*

Add-A-Station/Autopilot Fitting Kit ..... HF5501

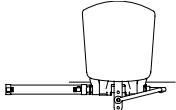
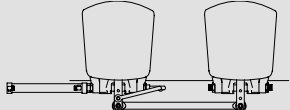
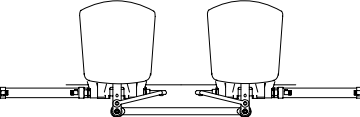
## Service Items:

- SeaStar Oil (1 Gallon) ..... HA5440
- Steering Wheel Locknut ..... 747521



# SeaStar outboard steering

## Ordering Guide: Side Mount Systems

ENGINE/CYLINDER CONFIGURATION	COMPONENT DESCRIPTION	QTY. REQ'D	MODEL	PART NO.	
<b>SINGLE ENGINE (SINGLE CYLINDER)</b> Applications up to 300 HP maximum <u>NUMBER OF TURNS: 4.8/5.7</u>	CYLINDER	1	SIDE MOUNT	HC5370	
	HELM	1	SEASTAR 1.7	HH5271	
	HOSE KIT	1	OUTBOARD HOSE	H051__	
	OIL	3	SEASTAR OIL (QT.)	HA5430	
					
<b>FOR EXTRA STEERING STATION ADD:</b>					
	HELM	1	SEASTAR 1.7	HH5271	
	FITTING KIT	1	ADD A STATION	HF5501	
	HOSE KIT	1	OUTBOARD HOSE	H051__	
	OIL	1	SEASTAR OIL (QT.)	HA5430	
<b>DUAL ENGINE (SINGLE CYLINDER)</b> Non-Counter-Rotating Applications to 300 HP max; Counter-Rotating Applications to 600 HP maximum. <u>NUMBER OF TURNS: 4.8/5.7</u>	CYLINDER	1	SIDE MOUNT	HC5370	
	TIE BAR KIT	1	TIE BAR ONLY	H05009	
	HELM	1	SEASTAR 1.7	HH5271	
	HOSE KIT	1	OUTBOARD HOSE	H051__	
	OIL	3	SEASTAR OIL (QT.)	HA5430	
					
<b>FOR EXTRA STEERING STATION ADD:</b>					
	HELM	1	SEASTAR 1.7	HH5271	
	FITTING KIT	1	ADD A STATION	HF5501	
	HOSE KIT	1	OUTBOARD HOSE	H051__	
	OIL	1	SEASTAR OIL (QT.)	HA5430	
<b>DUAL ENGINE (DUAL CYLINDERS)</b> Non-Counter-Rotating Applications to 600 HP max; All Counter-Rotating Engine Applications <u>NUMBER OF TURNS: 7.5</u>	CYLINDER	2	SIDE MOUNT	HC5370	
	TIE BAR KIT	1	TIE BAR ONLY	H05009	
	HELM	1	SEASTAR 2.4	HH5272	
	HOSE KIT	1	OUTBOARD HOSE	H051__	
	HOSE KIT	1	OUTBOARD HOSE	H051__	
	HOSE KIT	1	OUTBOARD HOSE	H051__	
	FITTING KIT	1	TEE FITTINGS	HF5530	
	OIL	3	SEASTAR OIL (QT.)	HA5430	
					
	<b>FOR EXTRA STEERING STATION ADD:</b>				
	HELM	1	SEASTAR 2.4	HH5272	
	FITTING KIT	1	ADD A STATION	HF5501	
	HOSE KIT	1	OUTBOARD HOSE	H051__	
	OIL	1	SEASTAR OIL (QT.)	HA5430	
<b>OPTIONAL EQUIPMENT</b>	BACK PLATE KIT		(FOR STANDARD HELMS)	HA5418	
	20 DEGREE WEDGE		(FOR STANDARD HELMS))	HA5419	
	AUTOPILOT FITTING KIT:		(FOR ALL HELMS)	HF5501	
	TILT HELM - SEASTAR 1.7			HH5741	
	REAR MOUNT HELM - SEASTAR 1.7			HH5261	
	TILT HELM - SEASTAR 2.4			HH5742	
	REAR MOUNT HELM - SEASTAR 2.4			HH5262	
	POWER ASSIST STEERING			PA1200	

**NOTES:**

These recommendations apply to factory stock outboards only. Modified installations may require a higher capacity steering system. If in doubt, contact our Teleflex Canada technical service for assistance. (Cylinder volume / helm displacement = number of turns.) For dual engines, use SeaStar or engine manufacturer's tie bar.

For all SeaStar outboard systems: Use following option A or B:

A) Outboard hose: order standard lengths (cannot be cut to length.) Part No. H051\_\_ / H057\_\_, where last two digits = length in feet.

B) Copper tube: 3/8" diameter copper tube and hose kit part No. HF5508.

**WARNING:**

Do NOT use SeaStar PRO helms with the unbalanced side mount cylinder. Doing so may cause steering wheel to lock up leading to possible loss of steering causing property damage and/or personal injury.

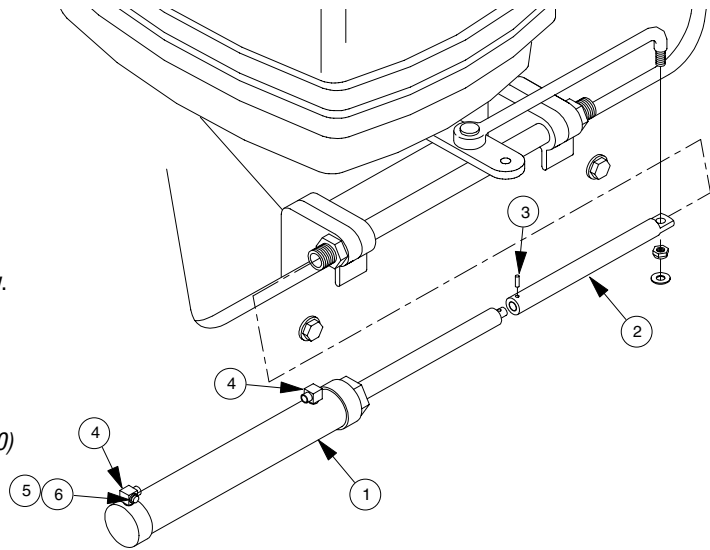
# Single Engine Cylinder/Connection Parts

## HC5370 SIDEMOUNT CYLINDER PARTS

### SIDE MOUNT CYLINDER (HC5370) PARTS LIST

ITEM	P/N	QTY	DESCRIPTION
1	773722	1	Side Mount Cyl. Tube & Gland Ass'y.
2	449824	1	Extension Rod – Stainless Steel
3	449721	1	Pin - Stainless Steel
4	HF5520	1	Hose/Bleeder Tee Fitting Set (2)
5	NOT AVAIL.	2	Bleed Screw (use HF5520)
6	NOT AVAIL.	2	Washer for Bleed Screw (use HF5520)
-	773826	1	Cylinder Rod & Piston Assembly

(USE ENGINE MANUFACTURER'S LINK ARM.)



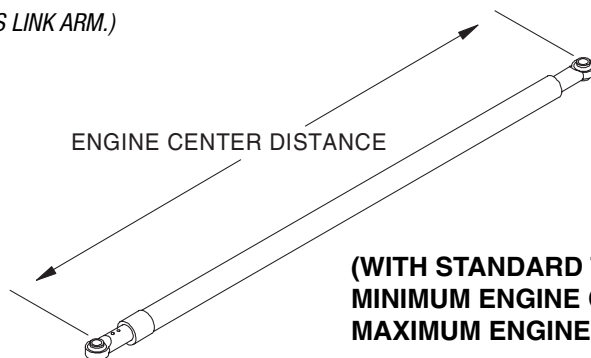
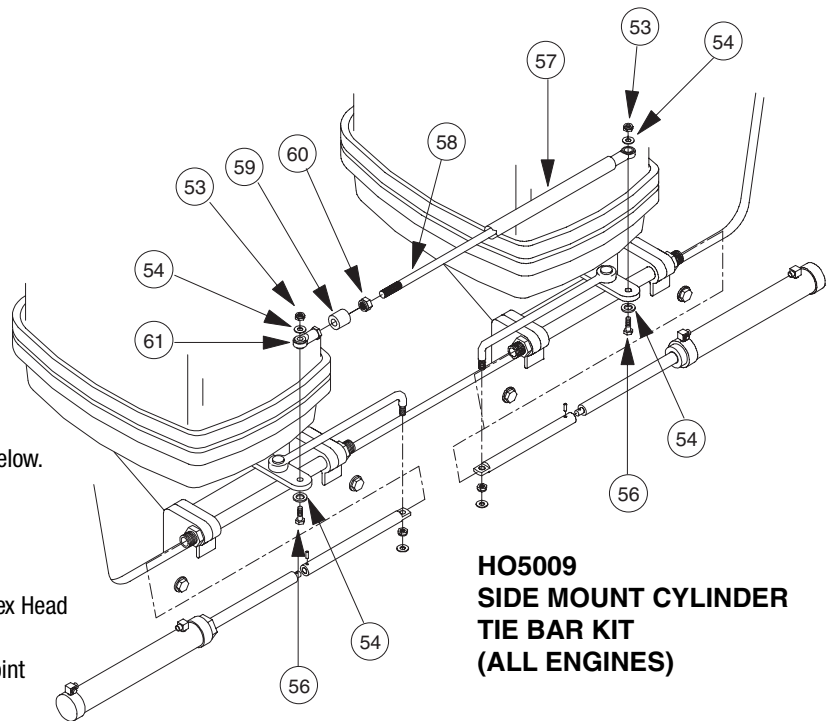
# Dual Engines Cylinder Tie Bar Kits & Parts

### SIDE MOUNT CYLINDER TIE BAR KIT (H05009)

Replacement parts for the H05009 tie bar kit are listed below.

ITEM	P/N	QTY	DESCRIPTION
53	113529	2	Nut 3/8" NF Nylock
54	113622	4	Washer 3/8" dia.
56	726825	2	Screw 3/8" NF x 1-3/4" Hex Head
57	722721	1	Stringer Tube
58	722523	1	Threaded Rod with Ball Joint
59	746123	1	Plastic Cap
60	192126	1	Nut 1/2" NF Nylock
61	116527	1	Ball Joint

(USE ENGINE MANUFACTURER'S LINK ARM.)



(WITH STANDARD TIE BAR:)  
MINIMUM ENGINE CENTER DISTANCE: 26" (660mm)  
MAXIMUM ENGINE CENTER DISTANCE: 36" (914mm)