

SeaStar steering parts

Helms:

BayStar

HELM SEAL KIT — BAYSTAR (HS5147)

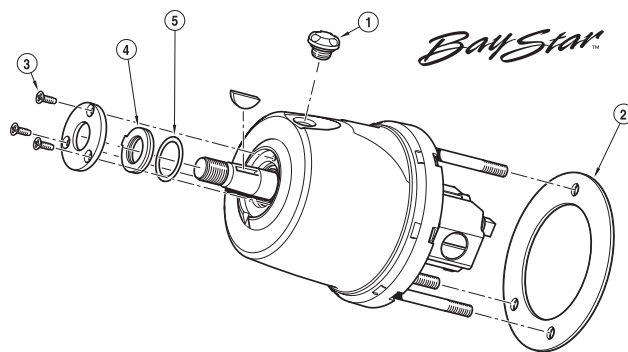
Replacement shaft seal kit for BayStar helms only. Contains three screws, shaft seal and o-ring. (See Items 3, 4 and 5 in illustration.)

HELM SEAL KIT — BAYSTAR PLUS (HS5176)

Replacement shaft seal kit for BayStar PLUS helms.

VENTED FILL PLUG (316640)

Comes with every BayStar helm. Use on BayStar helms only. (See Item 1 in illustration.)



BACK MOUNT PLATE (220427)

Round plate used behind BayStar helm for dash mounting. (See Item 2 in illustration.)

SeaStar & SeaStar PRO

HELM SEAL KIT (VARIES)

Replacement shaft seal kits for SeaStar 1.4, 1.7 (I), 2.0, 2.4 (II), Pro, P.S. and Hynautic helms can vary by model of helm. *Please see helm seal kit chart on next page.*

VENTED FILL PLUG (HA5431)

Comes with every SeaStar helm. Must be used in all single steering station systems or on uppermost helm in multiple steering stations.

NOTE: ITEMS FOR SECOND HELM STATION APPLICATIONS ARE NOT FOR USE WITH SEASTAR PRO HELMS.



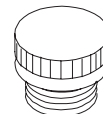
HA5431 VENTED FILL PLUG

NON-VENTED FILL PLUG (HA5432)

For use on lower station in multi-station systems only. Included with kits HF5501 and HF5502.

HA5432 NON-VENTED FILL PLUG

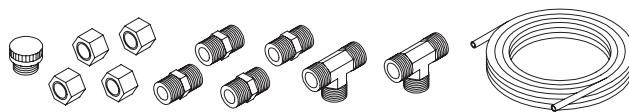
NOTE: Appearance may vary from drawing. This is a solid plug (no vent feature is visible when viewed from bottom of threaded portion).



OUTBOARD ADD-A-STATION/AUTOPILOT KIT (HF5501)

Contains fittings for adding either a steering station or an autopilot to an existing SeaStar outboard steering system. Includes 25 feet of SeaStar 3/8" nylon tubing and non-vented fill plug for helm at upper most station.

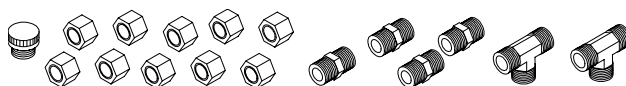
HF5501



STERN DRIVE ADD-A-STATION/AUTOPILOT KIT (HF5502)

Contains fittings for adding a steering station or autopilot to existing SeaStar stern drive steering system. Allows use of SeaStar nylon tubing (**with SeaStar 1.7 helms only**). Includes non-vented fill plug for lower station helm.

HF5502



STEERING WHEEL SHAFT NUT (747521)

Nylock lock nut to attach steering wheel to helm shaft, for all SeaStar helms. (Included with all SeaStar helms.)

747521



SeaStar/BayStar/Capilano/Hynautic Helm Seal Kits:

HELM DESCRIPTION	HELM PART NUMBER	SEAL KIT P/N
BAYSTAR - FRONT MOUNT	HH4016	HS5147
BAYSTAR - SPORT TILT	HH4015	HS5147
BAYSTAR PLUS - FRONT MOUNT	HH4514	HS5176*1
BAYSTAR PLUS - SPORT TILT	HH4513	HS5176*1
CAPILANO 1250V	HH5250	HS5160
CAPILANO 1275V	HH5275	HS5160
HYNAUTIC H-20 (3/4" SHAFT)	H-26	HS-01/02*2
HYNAUTIC H-20 (3/4" SHAFT)	H-25	HS-01/02*2
HYNAUTIC H-20 (1" SHAFT)	H-21	HS-01/02*2
HYNAUTIC H-40 (3/4" SHAFT)	H-42-02	HS-03/04*3
HYNAUTIC H-40 (1" SHAFT)	H-42	HS-03/04*3
HYNAUTIC H-40 (3/4" SHAFT)	H-41-02	HS-03/04*3
HYNAUTIC H-40 (1" SHAFT)	H-41	HS-04
SEASTAR 1.4 - FRONT MOUNT	HH5269	HS5176
SEASTAR 1.4 - REAR MOUNT	HH5260	HS5176*1
SEASTAR 1.4 - R. MT FULL FEEDBACK	HH5231	HS5176
SEASTAR 1.4 - R. MT. 1" STRT. SHAFT	HH5279	HS5151
SEASTAR 1.4 - R. MT. 1" TAPER. SHAFT	HH5280	HS5151
SEASTAR 1.4 - TILT	HH5744	HS5176
SEASTAR 1.7 - FRONT MOUNT	HH5271	HS5176*1
SEASTAR 1.7 - FRONT MT. COMMERCIAL	HH5217	HS5176*1
SEASTAR 1.7 - FT. MT. FULL FEEDBACK	HH5761	HS5176
SEASTAR 1.7 - REAR MOUNT	HH5261	HS5176*1
SEASTAR 1.7 - R. MT. 1" TAPER. SHAFT	HH5281	HS5151
SEASTAR 1.7 - SPORT TILT	HH5291	HS5176*1
SEASTAR 1.7 - TRADITIONAL TILT	HH5741	HS5176*1
SEASTAR 2.0 - FRONT MOUNT	HH5273	HS5176*1
SEASTAR 2.0 - FT. MT. FULL FEEDBACK	HH5760	HS5176
SEASTAR 2.0 - SPORT TILT	HH5745	HS5176*1
SEASTAR 2.0 - TRADITIONAL TILT	HH5743	HS5176*1
SEASTAR 2.4 - FRONT MOUNT	HH5272	HS5176*1
SEASTAR 2.4 - FRONT MT. COMMERCIAL	HH5224	HS5176*1
SEASTAR 2.4 - FT. MT. FULL FEEDBACK	HH5762	HS5176
SEASTAR 2.4 - REAR MOUNT	HH5262	HS5176*1
SEASTAR 2.4 - R. MT. 1" TAPER. SHAFT	HH5282	HS5151
SEASTAR 2.4 - SPORT TILT	HH5292	HS5176*1
SEASTAR 2.4 - TRADITIONAL TILT	HH5742	HS5176*1
SEASTAR PRO 1.4 - TRADITIONAL TILT*	HH5775	HS5176
SEASTAR PRO 1.7 - FRONT MOUNT*	HH5779	HS5176
SEASTAR PRO 1.7 - FT. MT. COMMERCIAL*	HH5218	HS5176
SEASTAR PRO 1.7 - REAR MOUNT*	HH5778	HS5176
SEASTAR PRO 1.7 - SPORT TILT*	HH5289	HS5176
SEASTAR PRO 1.7 - TRADITIONAL TILT*	HH5773	HS5176
SEASTAR PRO 2.0 - FRONT MOUNT*	HH5770	HS5176
SEASTAR PRO 2.0 - REAR MOUNT*	HH5771	HS5176
SEASTAR PRO 2.0 - SPORT TILT*	HH5290	HS5176
SEASTAR PRO 2.0 - TRADITIONAL TILT*	HH5774	HS5176
SEASTAR PRO 2.4 - FRONT MOUNT	HH5772	HS5176

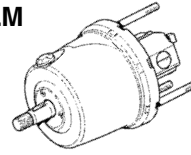
* SeaStar PRO helms cannot be used with an unbalanced cylinder and require use of SeaStar PRO Kevlar® reinforced outboard hose.

*1 SeaStar helm pumps manufactured from 1984 through 1990 require Seal Kit # HS5151 or Individual Shaft Seal #225320.

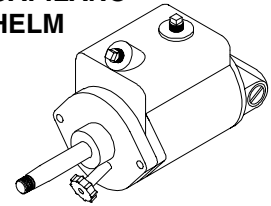
*2 H-20 and H-30 helms produced in 1978 and earlier use Seal Kit #HS-01. 1979-date H-20 and H-30 helms use Seal Kit # HS-02.

*3 H-40 helms produced in 1978 and earlier use Seal Kit #HS-03. 1979-date H-40 Helms use Seal Kit # HS-04.

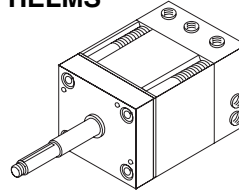
BAYSTAR HELM



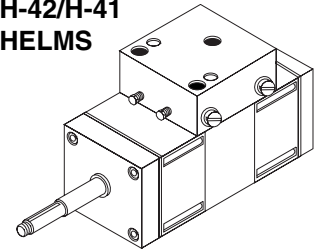
CAPILANO HELM



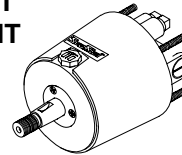
HYNAUTIC H-21/H-25/H-26 HELMS



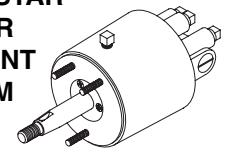
HYNAUTIC H-42/H-41 HELMS



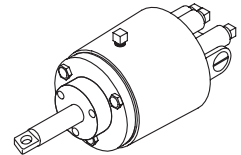
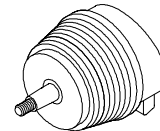
SEASTAR & BAYSTAR PLUS FRONT MOUNT HELM



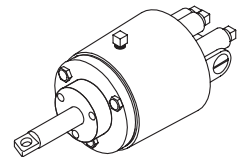
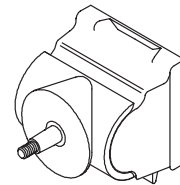
SEASTAR REAR MOUNT HELM



SEASTAR SPORT TILT MECHANISM & HELM



SEASTAR TRADITIONAL TILT MECHANISM & HELM



PLEASE NOTE: SEASTAR POWER STEERING HELMS ARE USUALLY STANDARD VERSIONS OF SEASTAR HELMS. REFER TO THAT HELM FOR SERVICE PARTS INFORMATION.

hynautic SEAL KITS FOR HYNAUTIC RESERVOIRS:
RS-01: R-4/R-04, R-10, R-13, R-14 models.

hynautic SEAL KITS FOR OBSOLETE HYNAUTIC HELMS:
HS-05: H-50 series helms.
HS-06: H-60 series helms.
HS-08: H-80 series helms, before date code 8000.
HS-09: H-80 series helms, after date code 8000.
HS-10: H-100 & H-200 series helm pumps.

SeaStar steering parts

Fitting Kits:

SeaStar

SeaStar.

(HF5507)

Connects 3/8" diameter copper tubing to SeaStar cylinders (using 3/8" diameter nylon tubing).

(HF5508)

Kit to connect 3/8" diameter copper tubing to SeaStar cylinders (using SeaStar outboard hose).

(HF5512)

3/4" bulkhead fitting kit for single cylinder installations. Two assemblies per kit.

(HF5513)

3" bulkhead fitting kit for single cylinder installations. Two assemblies per kit.

(HF5514)

3/4" bulkhead fitting kit for dual cylinder installations.

(HF5515)

3" bulkhead fitting kit for dual cylinder installations.

(HF5568)

Kit to connect 1/2" diameter copper tubing to SeaStar cylinders.

(HF5569)

Kit to connect 5/8" diameter copper tubing to SeaStar cylinders.

(HF5581)

45 degree flare fitting connection kit for SeaStar Systems.

(HF5582)

Add a station or autopilot kit using 3/8" or 45 degree flare fittings.

Hynautic

hynautic

H-20 HELM FITTINGS KIT FOR STATION 1 (HF-10)

Contains 3/8" port & starboard fittings and 1/4" return fittings. Requires the use of copper tubing.

H-20 HELM FITTINGS KIT FOR STATION 2 (HF-11)

Contains 3/8" port & starboard fittings and 1/4" return fittings. Requires the use of copper tubing.

H-40 HELM FITTINGS KIT FOR STATION 1 (HF-21)

Contains 1/2" port & starboard fittings and 3/8" return fittings. Requires the use of copper tubing.

H-40 HELM FITTINGS KIT FOR STATION 2 (HF-22)

Contains 1/2" port & starboard fittings and 3/8" return fittings. Requires the use of copper tubing.

Servicing SyTen

Hydraulic Steering:

NOTICE:

The SyTen components were produced up until late 1984 when they were replaced by the SeaStar steering systems. Teleflex Canada no longer stocks any replacement part, fittings or seal kits for this steering system or any component of this system.

Replacing or upgrading a SyTen inboard steering system to SeaStar components:

Helms:

The SyTen helm pump should be replaced with the current model SeaStar Helm Pump HH5271 and Back Mount Kit HA5418. This should be done at each helm station.

Tube:

The 5/16" nylon tube and fittings are obsolete and must be replaced with SeaStar 3/8" nylon extruded tube for all inboard applications.

Uniflow Valve:

U-10 or Model 50: Obsolete. No replacement parts are available.

Cylinder:

Adapter HA5425 is required for the conversion from a SyTen steering cylinder to the use of a current SeaStar Steering cylinder.

SeaStar/BayStar/Capilano/Hynautic Cylinder Seals:

CYLINDER MODEL	CYLINDER PART NUMBER	SEAL KIT P/N
BAYSTAR UNITS:		
COMPACT FRONT MOUNT	HC4645/4647/4648/4658	HP4600
OLD STYLE	HC4600	HP5607 + HP5608
CAPILANO INBOARD UNITS:		
BA150-7 (TMB/TMC)	HC5349/HC5355	HS5182
BA175-7 (TMB/TMC)	HC5350/HC5356	HS5183
BA-175-9TMB	HC5373	HS5183
BA200-7 (TMB/TMC)	HC5351/HC5357	HS5184
BA200-11 (TMB/TMC)	HC5378/HC5379	HS5185
HYNAUTIC INBOARD UNITS (USED IN SEASTAR, CAPILANO & HYNAUTIC SYSTEMS):		
Hynautic Ball Joint Mount	K-18	KS-02
Hynautic Ball Joint Mount	K-19	KS-02
Hynautic Fixed Mount	K-22	KS-04
Hynautic Fixed Mount	K-27	KS-04
Hynautic Universal Mount	K-5	KS-15
Hynautic Pivot Mount	K-31	KS-05
Hynautic Universal Mount	K-8	KS-18
Hynautic Universal Mount	K-9	KS-18
SEASTAR INBOARD UNITS:		
BA125-6.25ATM	HC5311	HS5154
BA125-7ATM	HC5312	HS5154
BA135-7ATM	HC5313	HS5155
BA150-7ATM	HC5314	HS5156
BA150-7TM	HC5318	HS5182
BA150-9TM	HC5369	HS5182
BA175-7TM	HC5319	HS5183
SEASTAR INBOARD POWER STEERING UNITS:		
BA200	HC5801/5802/5803/5804	HS5198
BA250	HC5805/HC5806	N/A at this time
SEASTAR & HYNAUTIC STERN DRIVE UNITS:		
BA150-7EM	HC5326	HS5156
BA135-8EM	HC5327	HS5155
125-8EM	HC5328	HS5154
125-8VEM	HC5329	HS5154
92-VPS	HC5331	HS5153
BA-125-EMV	HC5330	HS5154
BA-135-7EM	HC5332	HS5155
Hynautic Universal Mount	K-5	KS-15
SEASTAR OUTBOARD UNITS:		
PIVOT FRONT MOUNT	HC5345/5347/5348/5358	HS5157
PIVOT FRONT MOUNT (PRO)	HC6345/6347/6348/6358	N/A at this time
CATAMARAN O/B (FIXED MOUNT)	HC5343	HS5157
CATAMARAN O/B (FIXED MOUNT)	HC5374	KS-06
SIDE MOUNT	HC5370	HS5153
SPLASHWELL MOUNT	HC5380	HS5155
FRONT MT.-STD. (OBS.)	HC5340/HC5342	HS5157
FRONT MT.-COMPACT (OBS.)	HC5365	HS5157
SEASTAR JET DRIVE UNITS:		
BA125-3ATM	HC5303	HS5154



SEAL KIT REFERENCE FOR HYNAUTIC CYLINDERS:

KS-01: K-11 through K-17

KS-02: K-18 through K-20

KS-03: K-2, H1010 (old style)

KS-04: K-21 through K-29
(before August, 1983)

KS-05: K-31 through K-33

KS-06: K-21 through K-29
(after August, 1983)

KS-07: K-10

KS-08: K-7

KS-09: K-8 & K-9
(before April 15, 1984)

KS-11: K-1, PSK-10

KS-12: K-2 (newer style)

KS-13: K-3, K-4, PSK-11/PSK-12
(before April 15, 1984)

KS-14: K-51

KS-15: K-5/K-5-B

KS-17: K-3, K-4, PSK-11/PSK-12
(after April 15, 1984)

KS-18: K-8 & K-9
(after April 15, 1984)

KS-19: K-6

SeaStar steering parts

Cylinders: Outboard

BayStar Cylinder HC46__

(HC4645, HC4647, HC4648, HC4658)

SERVICE PARTS

ITEM	P/N	QTY	DESCRIPTION
1	590075	4	Socket Head Screw - Bracket
2	590250	2	Locknut
3	731720	2	Washer
4	790075	1	Gland End/Bracket, Right Side
	790077	1	Gland End/Bracket, Left Side
5	553053	1	Seal Gland Assembly Guide Tool
6	590042	1	Nut - Support Rod

BayStar Cylinder HC4600

GLAND KIT 'A' (HP5607)

INCLUDES ITEMS #1-6 IN ILLUSTRATION, AS FOLLOWS:

#1, 872018 Wiper (Qty. 1); #2, 441000 Shaft Seal (Qty. 1); #3, 008821 O-Ring (Qty. 1); #4, 441300 Grommet (Qty. 1); #5, 006721 Retainer Strip (Qty. 1); #6, 441100 End Gland (Qty. 1).

GLAND KIT 'B' (HP5608)

INCLUDES ITEMS #7-12 IN ILLUSTRATION, AS FOLLOWS:

#7, 872018 Wiper Seal (Qty. 1); #8, 441000 Shaft Seal (Qty. 1); #9, 008821 O-Ring (Qty. 1); #10, 441300 Grommet (Qty. 1); #11, 006721 Retainer Strip (Qty. 1); #12, 440620 Washer, Delrin (Qty. 2).

SeaStar Front Mount Parts

FRONT MOUNT CYLINDER SEAL KIT

(HS5157) Replacement front seal for kit for SeaStar pivot/front mount cylinders except PRO models.

(For: HC5345/HC5347/HC5348/HC5358/HC5343/HC5340/HC5342/HC5365). Includes 2 seal glands, pin wrench and guide tool. Available separately: (B) Seal Gland (P/N 724124), (C) Seal Gland Assembly Guide Tool (P/N 745920), (D) Pin Wrench (P/N 745525). (Includes items B, C & D in illustration.)

FRONT MOUNT CYLINDER ELBOW FITTING

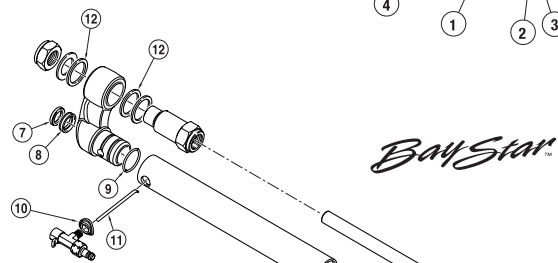
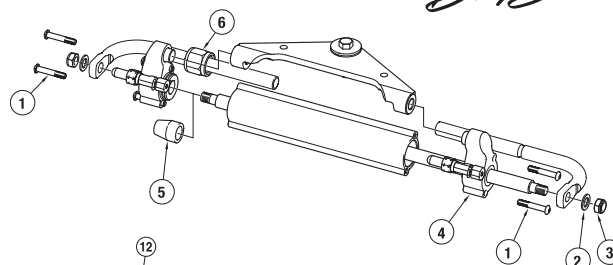
(600601) Elbow fitting for HC5345/HC5347/HC5348/HC5358 SeaStar front mount cylinder. (Item F in illustration).

FRONT MOUNT CYLINDER BLEED FITTING

(HF5548) (was 828980) 2 bleed fittings, 2 O-rings and 2 soft caps for HC5345/HC5347/HC5348/HC5358 SeaStar front mount cylinders. (Item E in illustration, caps not shown.)

HC46__ Compact Cylinder

BayStar™



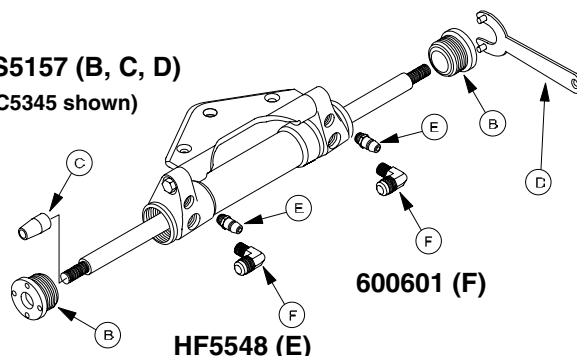
HC4600 Old Style

HP5607 (1-6)
HP5608 (7-12)

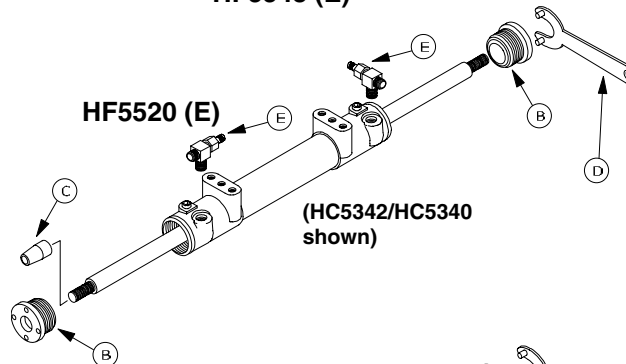
SeaStar. SeaStar PRO.

HS5157 (B, C, D)

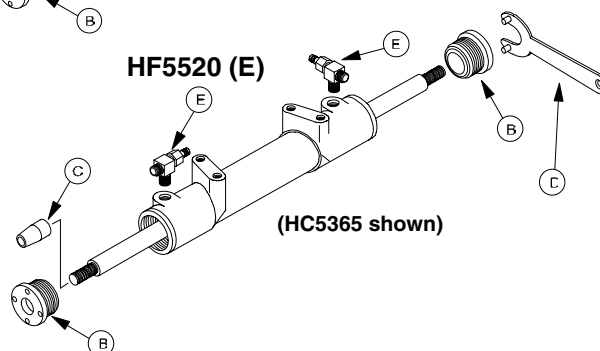
(HC5345 shown)



HF5520 (E)



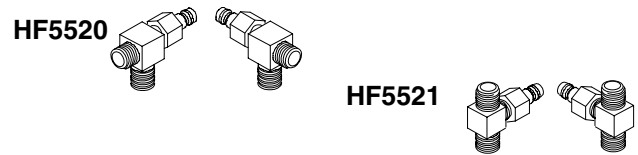
HF5520 (E)



hydraulic steering service parts: outboard cylinders

CYLINDER BLEEDER TEE FITTING SET (HF5520)

Pair of P/N 409620 bleeder tee fittings for older-style standard and compact SeaStar front mount cylinders (HC5342/HC5340/HC5365), side mount cylinders (HC5370), and splashwell mount cylinders (HC5380).



VERTICAL BLEEDER FITTING SET (HF5521)

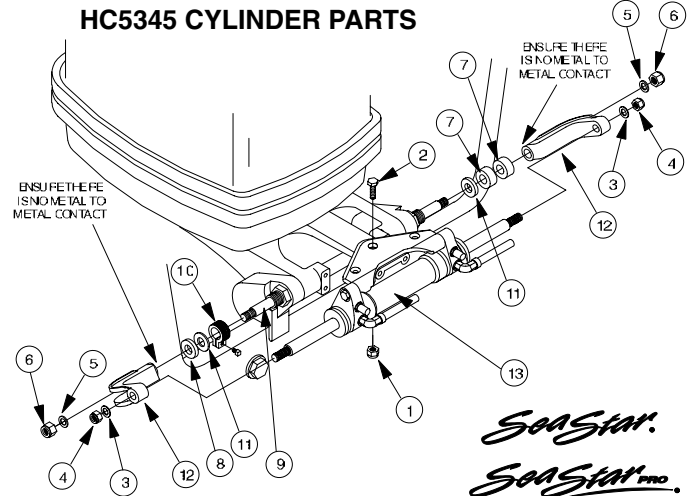
Pair of 90-degree fittings with integrated vertical bleeders for use where clearances are tight.

NOTE: THE HC5340, HC5342 AND HC5365 CYLINDERS ARE DISCONTINUED. Service parts are still available. If replacing, use the pivot front mount cylinder (HC5345) when splashwell width is greater than 22". For questions about these applications, please contact Teleflex Canada Tech Service at www.teleflexmarine.com.

SeaStar Pivot Mount Parts

The pivot front mount cylinder (P/N HC5345) fits most single-engine applications without requiring additional connection hardware.

ITEM	P/N	QTY	DESCRIPTION
1	113529	1	Nut 3/8" NF Nylock S.S.
2	113222	1	Screw 3/8" x 1-1/4" Hex Head S.S.
3	731625	2	Washer 7/16" dia. S.S.
4	731720	2	Nut 7/16" NF Nylock S.S.
5	202027	2	Washer 1/2" dia. S.S.
6	192126	2	Nut 1/2" NF Nylock (nickel plated brass)
7	995876	2	Spacer (Thick)
8	996689	1	Spacer (Thin)
9	730229	1	Support Rod
10	729621	1	Adjusting Nut & Screw
11	202300	2	Washer 5/8" dia. S.S.
12	839120	2	Support Bracket
13	HC5346	1	Pivot Cylinder Subassembly w/ Fittings (previously listed as 828000)



NOTE: Adapter kits are not required when using the HC5345 cylinder for single engine applications. The diagram shown is typical, but some applications do not use some of the parts shown or require different orientation of items from what is depicted. Always consult current SeaStar documents for diagrams specific to your application.

Pivot Mount Cylinder — Dual & Triple Engine Tie Bars

WITH NEW STYLE HO6001/6002/6003 TIE BAR KITS:

No adapters are required. Use the dual and triple engine application guides on Pages 26 and 27 to select the tie bar kit required.

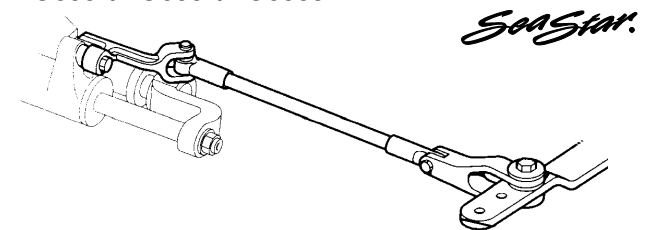
WITH OLDER SEASTAR TIE BAR KITS:

When using the HC5345 with a pre-1998 SeaStar tie bar kit, contact Teleflex Canada Technical Service for assistance at 604-270-6899 or online at www.teleflexmarine.com

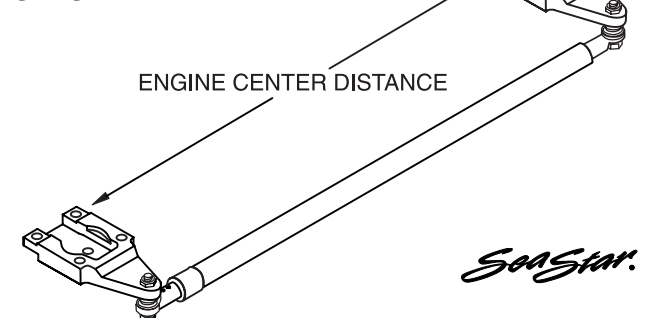
(Older model tie bar-and-adapter kits for the HC5340/HC5342 cylinders include a HO5009 outboard tie bar and engine-specific adapter plate kit [tie bar-to-engine extension plate] with all necessary hardware to connect the tie bar to the cylinder and two (2) engines. Single engine adapter plate kits are also available.)

For exact parts orientation, consult SeaStar Owners Manual for the diagram specific to your application.

TYPICAL FRONT MOUNT TIE BAR KIT FOR HC5345 TYPE FRONT MOUNT CYLINDER HO6001/HO6002/HO6003



HO5009 TYPICAL OLD STYLE SEASTAR TIE BAR KIT



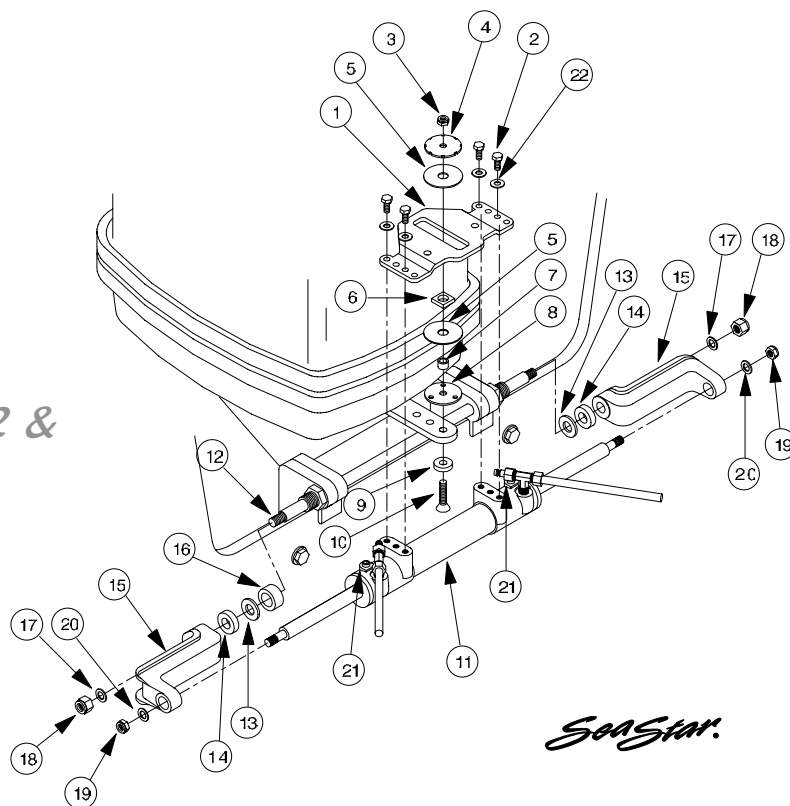
SeaStar steering parts

Cylinders: Outboard

HC5342/HC5340 OLD STYLE ("STANDARD") CYLINDER PARTS

Front Mount - OLD STYLE

*Cylinder Parts &
Single Engine
Connection Parts
(for Old Style HC5342 &
HC5340 cylinders)*



For exact parts orientation, consult SeaStar Owners Manual #1 for the diagram specific to your application.

NOTE: HC5342 is similar to the older HC5340 model except for integral bleeder fittings

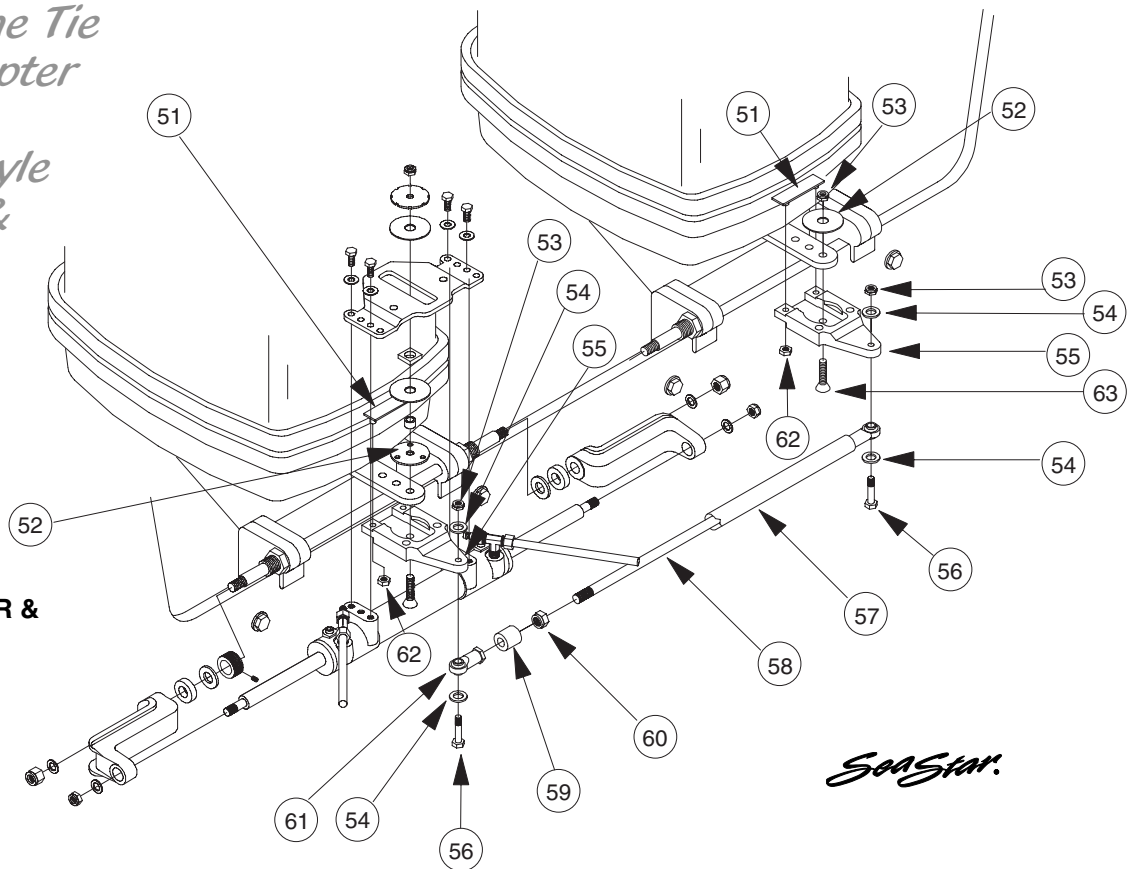
The standard front mount cylinder (P/N HC5342) fits most single-engine applications without requiring additional connection hardware. Some engines require use of an adapter plate kit. Contact Teleflex Canada Tech service for adapter plate information.

ITEM	P/N	QTY	DESCRIPTION	ITEM	P/N	QTY	DESCRIPTION
1*	722222	1	Slide Plate	12	730229	1	Support Rod
2*	742724	4	Screw 5/16" x 3/4" Hex Head	13*	202121	2	Washer 5/8" dia.
3*	113529	1	Nut 3/8" NF Nylock	14*	728924	2	Spacer
4*	721220	1	Notched Washer	15	809900	2	Support Bracket (avail. as P/N 809924)
5*	727724	2	Slide Washer	16*	436627	1	Adjusting Nut with Set Screw
6*	729221	1	Slide Follower	17*	202027	2	Washer 1/2" dia.
7*	721126	1	Follower Bushing	18*	192126	2	Nut 1/2" NF Nylock
8*	736028	1	Bottom Washer (3 Hole)	19*	731720	2	Nut 7/16" dia.
9*	721427	1	Countersunk Washer	20*	731625	2	Washer 7/16" dia.
10*	185921	1	Screw 3/8" x 1-5/8" Flat Head	21*	224223	2	Bleed Screw with Seal
11	HC5344	1	Cylinder Subassembly w/Fittings	22*	010924	4	Washer 5/16" dia.

* Items 1-22 (except items 11, 12 & 15) are available as Kit # 724021 (Items 9 & 10 are not used on 1985-date 90-150 HP Force Engines.)

hydraulic steering service parts: outboard cylinders

Dual Engine Tie Bar & Adapter Plate Kits (for Old Style HC5342 & HC5340 cylinders)



TYPICAL TIE BAR & ADAPTER FOR HC5342/HC5340

The tie bar-and-adapter kits listed include a HO5009 outboard tie bar and engine-specific adapter plate kit (tie bar-to-engine extension plate) with all necessary hardware to connect the tie bar to the HC5340/HC5342 old style cylinder and 2 engines. Single-engine adapter plate kits are also available.

2-Engine Adapter Kits P/N HO50__

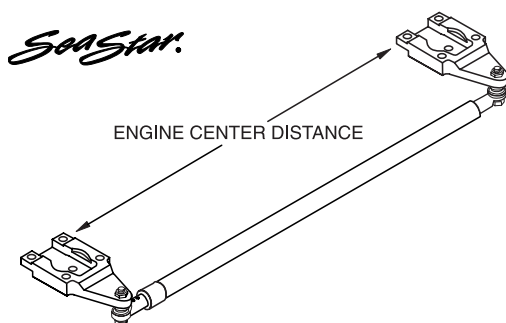
2-Engine adapter kits include the following items shown in the diagram above. (1-Engine kits have half the quantities listed below.)

ITEM	P/N	QTY	DESCRIPTION
51	722928	2	Clamp Plate
52	(varies)	2 or 4	Bottom Washer
55	(varies)	2	Extension Plate (Tie Bar Adapter)
62	191424	4	Nut 1/4" NC Nylock

Tie Bar Only Kit HO5009

Includes the following items shown in diagram above.

ITEM	P/N	QTY	DESCRIPTION
53	113529	2	Nut 3/8" NF Nylock
54	113622	4	Washer 3/8" dia.
56	726825	2	Screw 3/8" NF x 1-3/4" Hex Head
57	722721	1	Stringer Tube
58	722523	1	Threaded Rod with Ball Joint
59	746123	1	Plastic Cap
60	192126	1	Nut 1/2" NF Nylock
61	116527	1	Ball Joint
63	185921	2	Screw 3/8" x 1-5/8" Flat Head



HO50__ TYPICAL OLD STYLE SEASTAR TIE BAR KIT, SHOWN ASSEMBLED WITH ADAPTER PLATES

For exact parts orientation, consult SeaStar Owners Manual #1.1 for the diagram specific to your application.

SeaStar steering parts

Cylinders: Outboard

Side Mount

Cylinder Parts

SIDE MOUNT CYLINDER SEAL KIT (HS5153)

Replacement front seal for kit for standard SeaStar side mount cylinders (HC5370). Includes seals only. Also available: Rod End Gland with Swivel Nut and Seals: (P/N HS5173), Cylinder Tube & Gland Assembly (P/N 773722), Cylinder Rod & Piston Assembly (P/N 773826).

SIDE MOUNT CYLINDER ROD END GLAND KIT (HS5173)

Includes rod end gland, swivel nut and seals for HC5370 cylinder.

CYLINDER BLEEDER TEE FITTING SET (HF5520)

Pair of P/N 409620 bleeder tee fittings for older-style SeaStar front mount cylinders (HC5342 & HC5365), side mount cylinders (HC5370), and splashwell mount cylinders (HC5380). Replaces 448521 elbow style fittings. *For illustrations, see "front mount" cylinder part list.*

VERTICAL BLEEDER FITTING SET (HF5521)

Pair of 90° fittings with integrated vertical bleeders, for tight clearances. *For illustrations, see "front mount" cylinder part list.*

Dual Engine Tie Bar Kits & Parts

SIDE MOUNT CYLINDER TIE BAR KIT (HO5009)

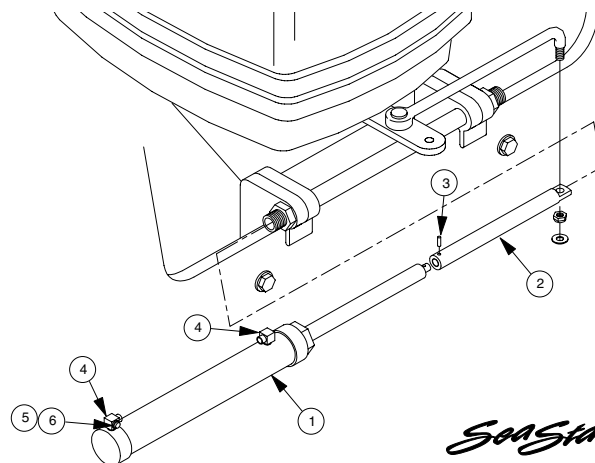
Replacement parts for the HO5009 tie bar kit are listed below.

ITEM	P/N	QTY	DESCRIPTION
53	113529	2	Nut 3/8" NF Nylock
54	113622	4	Washer 3/8" dia.
56	726825	2	Screw 3/8" NF x 1-3/4" Hex Head
57	722721	1	Stringer Tube
58	722523	1	Threaded Rod with Ball Joint
59	746123	1	Plastic Cap
60	192126	1	Nut 1/2" NF Nylock
61	116527	1	Ball Joint

(USE ENGINE MANUFACTURER'S LINK ARM.)

(WITH STANDARD TIE BAR:)
MINIMUM ENGINE CENTER DISTANCE: 26" (660mm)
MAXIMUM ENGINE CENTER DISTANCE: 36" (914mm)

HC5370 SIDEMOUNT CYLINDER PARTS



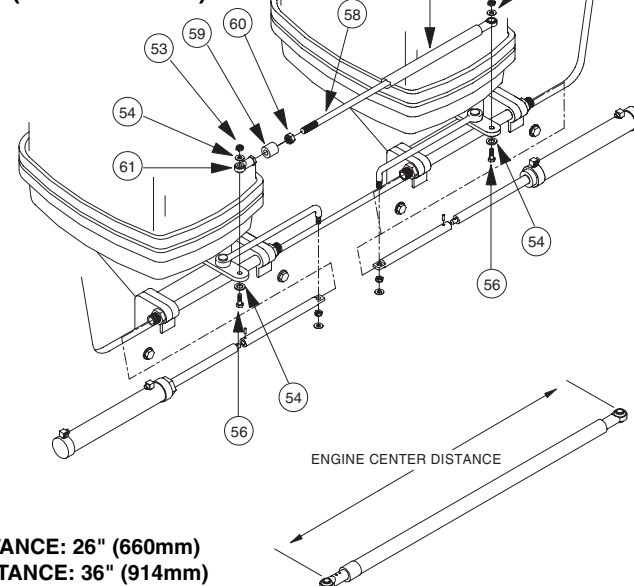
Cylinder/Connection Parts

SIDE MOUNT CYLINDER PARTS LIST (HC5370)

ITEM	P/N	QTY	DESCRIPTION
1	773722	1	Side Mount Cyl. Tube & Gland Ass'y.
2	449824	1	Extension Rod — Stainless Steel
3	449721	1	Pin - Stainless Steel
4	HF5520	1	Hose/Bleeder Tee Fitting Set (2)
5	449025	2	Bleed Screw
6	448925	2	Washer for Bleed Screw
-	773826	1	Cylinder Rod & Piston Assembly

(USE ENGINE MANUFACTURER'S LINK ARM.)

HO5009 SIDE MOUNT CYLINDER TIE BAR KIT (ALL ENGINES)



Cylinders: Outboard

Splashwell Mount

Cylinder Parts

SPLASHWELL MOUNT CYLINDER SEAL KIT

(HS5154) Replacement front seal for kit for standard SeaStar splashwell mount cylinders (HC5380). Includes seals only.

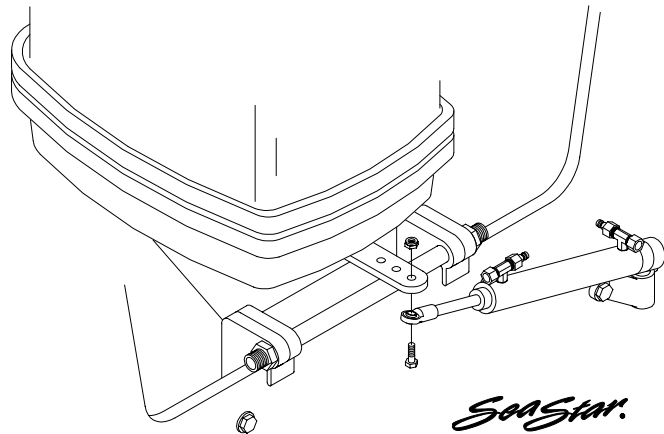
SIDE MOUNT CYLINDER ROD END GLAND

(641222) Includes rod end gland only for HC5380 cylinder.

CYLINDER BLEEDER TEE FITTING SET

(HF5520) Pair of P/N 409620 bleeder tee fittings for older-style SeaStar front mount cylinders (HC5342 & HC5365), side mount cylinders (HC5370), and splashwell mount cylinders (HC5380). Replaces 448521 elbow style fittings. *For illustrations, see "front mount" cylinder part list.*

HC5380 SPLASHWELL CYLINDER TYPICAL SINGLE ENGINE MOUNTING



VERTICAL BLEEDER FITTING SET (HF5521)

Pair of 90-degree fittings with integrated vertical bleeders for use where clearances are tight, such as some stern drive applications. *For illustrations, see "front mount" cylinder part list.*

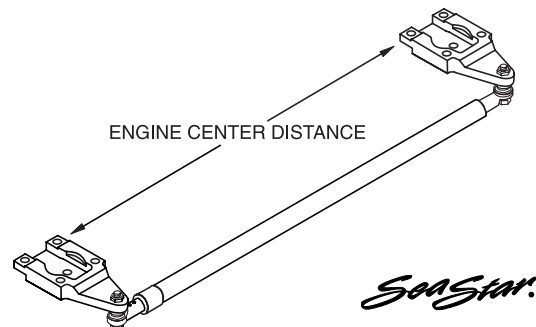
Dual Engine Cylinder Tie Bar Kit

(WITH STANDARD TIE BAR:)

MINIMUM ENGINE CENTER DISTANCE: 26" (660mm)

MAXIMUM ENGINE CENTER DISTANCE: 36" (914mm)

HO5010 SPLASHWELL MOUNT CYLINDER TIE BAR KIT (ALL ENGINES)



Outboard

Catamaran/Pontoon

HC5343 CYLINDERS ARE BASED ON THE HC5342 FRONT MOUNT CYLINDER DESIGN. FOR AVAILABLE PARTS, PLEASE SEE THE HC5342 CYLINDER, ON PREVIOUS FOUR PAGES. FOR HC5374 PARTS, PLEASE CONTACT TELEFLEX CANADA.

SeaStar.

SeaStar steering parts

Cylinders:

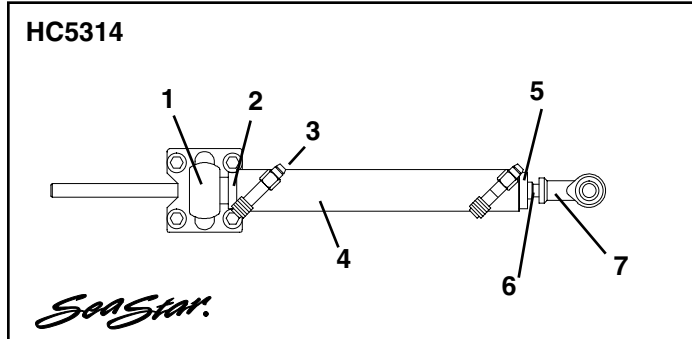
Stern Drive (I/O)

SeaStar Internal Mount

THE HYNAUTIC K-5 EXTERNAL-MOUNT STERN DRIVE CYLINDER SEAL KIT IS LISTED WITH THE CYLINDER SEAL KITS IN THE CHART ON A PREVIOUS PAGE, FOR OTHER K-5 SERVICE PARTS, PLEASE CONTACT TELEFLEX CANADA: 604-270-6899 OR ON-LINE AT: www.teleflexmarine.com

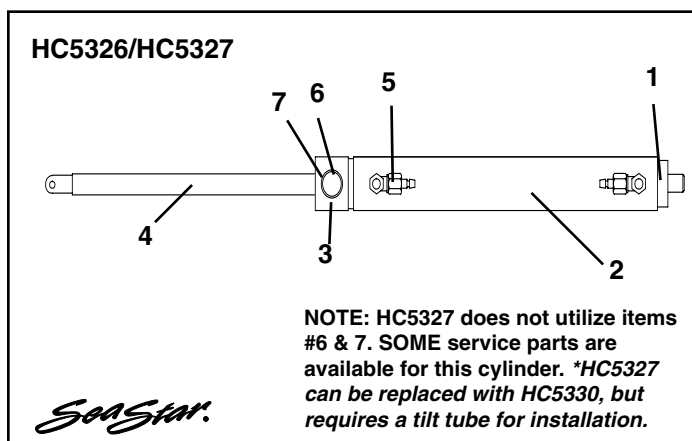
HC5314 PARTS LIST:

ITEM	P/N	QTY	DESCRIPTION
1	HP5611	1	Trunnion Assembly
2	371723	1	Gland Ball
3	HF5520	2	Bleeder Tee Fitting
4	005324	1	Barrel
5	005926	1	Gland End
6	020023	1	Piston/Shaft
7	292127	1	Rod End Ball Joint
-	N/A	1	Spanner Wrench
-	HS5156		Seals Only Kit
-	HS5164		Gland Ball & Gland End Kit



HC5326 PARTS LIST:

ITEM	P/N	QTY	DESCRIPTION
1	005926	1	Gland End
2	005324	1	Barrel
3	377429	1	Gland Trunnion
4	377221	1	Piston/Shaft
5	409827	2	Bleeder Tee Fitting
6	319921	2	Bushing
7	319724	2	Shim
-	N/A	1	Spanner Wrench
-	HS5156		Seals Only Kit

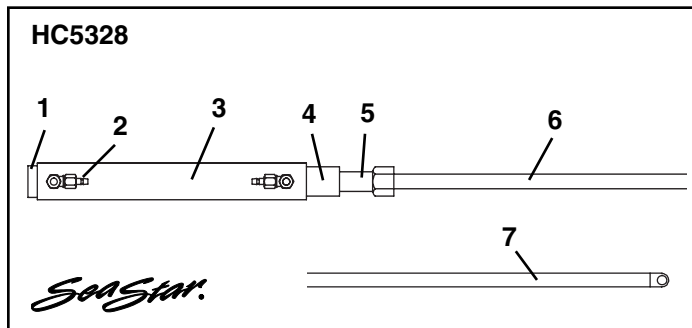


HC5327* PARTS LIST:

ITEM	P/N	QTY	DESCRIPTION
3	063122	1	Gland End
5	409827	2	Bleeder Tee Fitting
-	HS5155		Seals Only Kit

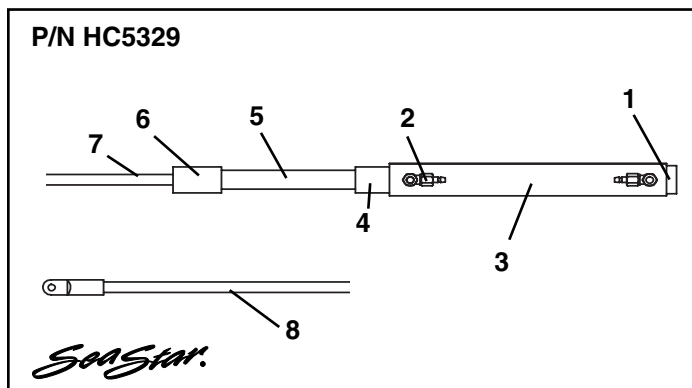
HC5328 PARTS LIST:

ITEM	P/N	QTY	DESCRIPTION
1	008829	1	Gland End
2	409827	2	Bleeder Tee Fitting
3	379829	1	Barrel
4	008322	1	Gland (Merc)
5	565029	1	Extension Tube
6	121121	1	Piston/Shaft
7	008426	1	Extension Rod
-	N/A	1	Spanner Wrench
-	HS5154		Seals Only Kit



HC5329 PARTS LIST:

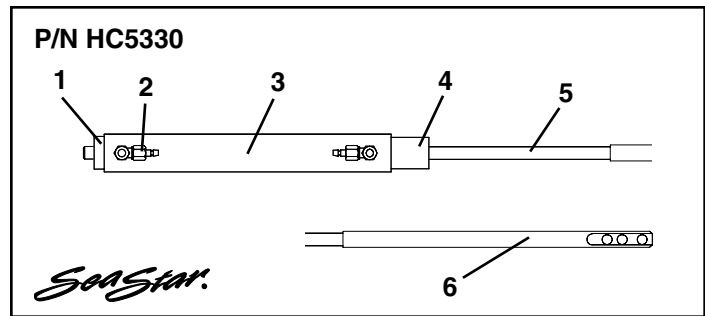
ITEM	P/N	QTY	DESCRIPTION
1	379922	1	Gland End
2	409827	2	Bleeder Tee Fitting
3	379829	1	Barrel
4	008322	1	Gland (Merc)
5	445720	1	Tube Support
6	445626	1	Bushing Screw
7	121121	1	Piston Shaft
8	445429	1	Extension Rod
-	N/A	1	Spanner Wrench
-	HS5154		Seals Only Kit



hydraulic steering service parts: stern drive cylinders

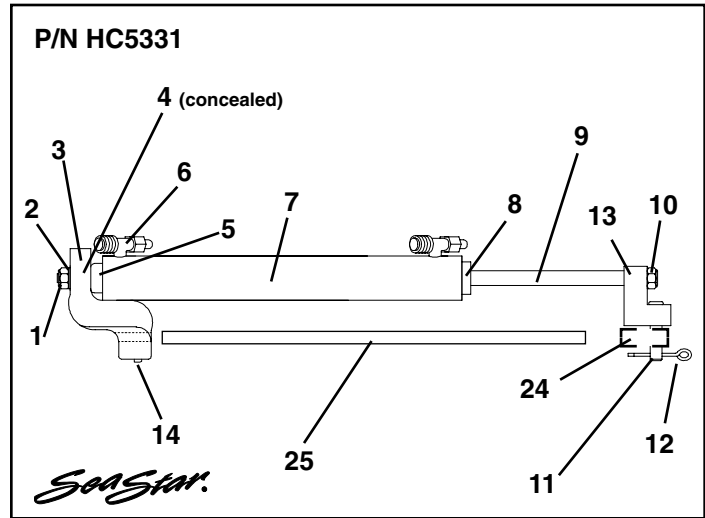
HC5330 PARTS LIST:

ITEM	P/N	QTY	DESCRIPTION
1	008229	1	Gland End
2	409827	2	Bleeder Tee Fitting
3	379829	1	Barrel
4	008322	1	Gland (Merc)
5	321527	1	Piston/Shaft
6	321621	1	Extension Rod
-	N/A	1	Spanner Wrench
-	HS5154		Seals Only Kit



HC5331 PARTS LIST:

ITEM	P/N	QTY	DESCRIPTION
1	731720	1	Nut 7/16" NF
2	731625	1	Washer 7/16"
3	562820	1	Support Bracket
4	562726	1	Mounting Stud
5	562622	1	Gland End
6	HF5520	2	Bleeder Tee Fitting
7	379829	1	Barrel
8	008229	1	Gland End
9	563023	1	Piston/Shaft
10	192624	1	Nut 1/2" NF
11	562923	1	Clevis Pin
12	020926	1	Cotter Pin
13	563127	1	Clevis Block
14	184721	1	Set Screw #10
24	963721	1	Spacer (DPS & SX only)
25	321446	1	Support Rod
-	HS5153		Seals Only Kit

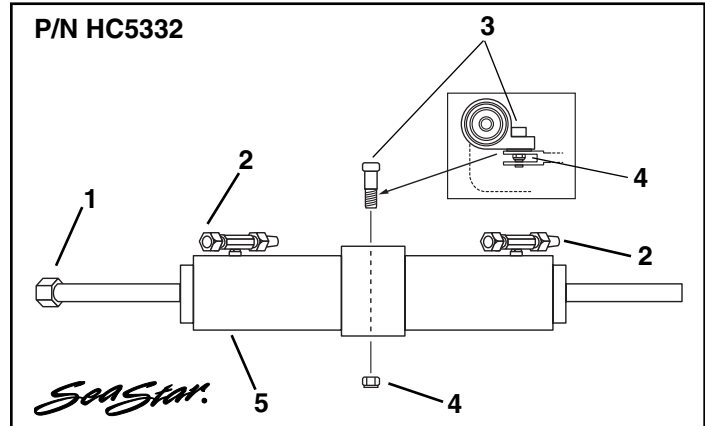


HC5332 PARTS LIST:

ITEM	P/N	QTY	DESCRIPTION
1	409620	2	Bleed Tee Assembly
2	063122	2	Gland End
3	062722	1	Barrel
4	192126	1	Nut 1/2 NF Nylok®, Nickel-Plated Brass
*5	113529	1	3/8" NF Nylok® Thin SS
*6	545501	1	SHCS, 3/8" NF x 1-1/2 SS
**7	373221	1	(not shown) Loctite® 242
-	HS5155		Seals Only Kit

* Item 5 (113529) must be installed between Clevis Forks.

** Apply .5 ml item 7 (373221) Loctite® 242, to threaded portion of item 6 (545501) before threading into item 5 (113529).



NOTE: When replacing any seals, make sure the cylinder shaft is clear of abrasions. An Oilite™ bushing should be ordered when replacing most glands. See SeaStar Manual #2 for details specific to your application.

SeaStar, Capilano & Hynautic Cylinder Repair Parts

*SeaStar.
Capilano™*

hynautic

**SeaStar.
POWER STEERING**

SERVICE PARTS FOR CAPILANO MANUAL INBOARD AND POWER STEERING CYLINDERS:
CONTACT TELEFLEX CANADA : 604-270-6899 OR
ON-LINE AT: www.seastarsteering.com