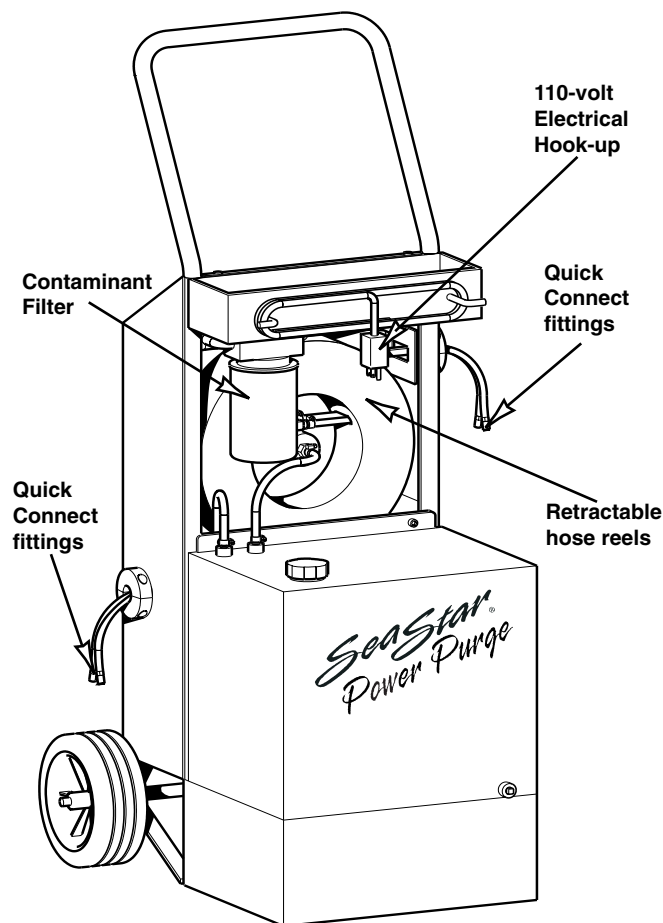


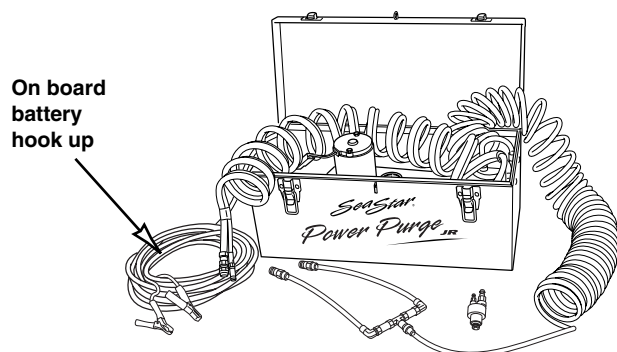
SeaStar steering service tools

Power Purge



HA5447
SEASTAR POWER PURGE

Power Purge JR



HA5445-2
SEASTAR POWER PURGE, Jr.

The Power Purge and Power Purge, Jr. are the quickest ways to bleed a SeaStar® or BayStar® system and assure a rock-solid steering feel every time!

*Power Purge systems reduce installation and warranty costs while enhancing the quality of the boat for the end user. A typical manual fill and purge takes the average, **experienced** installer about 30 minutes per boat — **by using Power Purge this can be reduced to 10 minutes or less.***

Power Purge and Power Purge, Jr. are available to any business at which SeaStar® is installed by qualified marine hydraulic steering technicians.

Features:

Power Purge

- Dramatically reduced purging time
- Increased quality of system purge for solid, responsive steering feel.
- Fast and efficient set-up; easy to operate.
- Screens contaminants from oil.
- Quick connect fittings.
- Retractable hose reels.
- Utilizes 110 volt electrical hook-up.

Power Purge, Jr.

- All of the speed, qualities, and ease-of-operation of the original Power Purge, **plus:**
- Extended portability for **use in the field** — weighs only 12 pounds.
- Convenient electrical hook-up utilizing an available 12-volt boat battery.
- Optional Dual Cylinder Purging Kit available: Part # HA5461
- Optional 50' Hose Extension Kit available for longer runs: Part # HA5462