

# SeaStar P/A premium steering

*SeaStar* P/A™

new!  
premium  
steering systems

SEASTAR® P/A  
POWER  
ASSIST  
STEERING  
SYSTEM



*(Number of turns lock-to-lock based on helm)*

DIMENSIONS: page 87  
HOW TO MEASURE: page 84  
SERVICE PARTS: pages 148-159  
SUPPORT: [www.teleflexmarine.com](http://www.teleflexmarine.com)  
or call 604-270-6899

**NOTE:** When properly installed, this steering system will connect to a current-technology SeaStar or SeaStar PRO steering system (maximum helm displacement: 2.4 cu. in.). SeaStar P/A requires a manually operated SeaStar or SeaStar PRO hydraulic system be in place. Use only recommended components. All warranties will be void if any components are misapplied.

**Steering for your boat that's as easy as the power steering in your car!**

SeaStar Power Assist offers boat owners a new level of steering comfort and control by reducing wheel effort — which makes boating more enjoyable for everyone who takes the helm!

This is the perfect upgrade for your outboard, stern drive or inboard powered boat that is already equipped with hydraulic steering. SeaStar P/A easily ties into the existing Sea Star hydraulic steering system.

## Applications:

Ideal for nearly any boat in which smooth, very easy steering is desired — especially vessels in which a high degree of effort is needed to turn the wheel.

**Tilt**  
STEERING  
available!

## Features:

- Easy as the power steering in your car!
- Dramatically increases steering comfort by reducing effort at the steering wheel.
- Easily-installed upgrade to existing SeaStar or SeaStar PRO manual system
- Pro version available for SeaStar PRO type applications.
- Number of turns lock to lock remains the same as existing manual hydraulic system.
- Compatible with SeaStar Power Purge systems.
- Compatible with autopilots.
- Rugged, reliable and compact.
- Wiring harness included.
- Ignition protected (SAE J-1171).
- 12V and 24V operation available.
- ABYC, CE, NMMA, ISO 10592 Approved.

# hydraulic power-assist steering: outboard, I/O & inboard

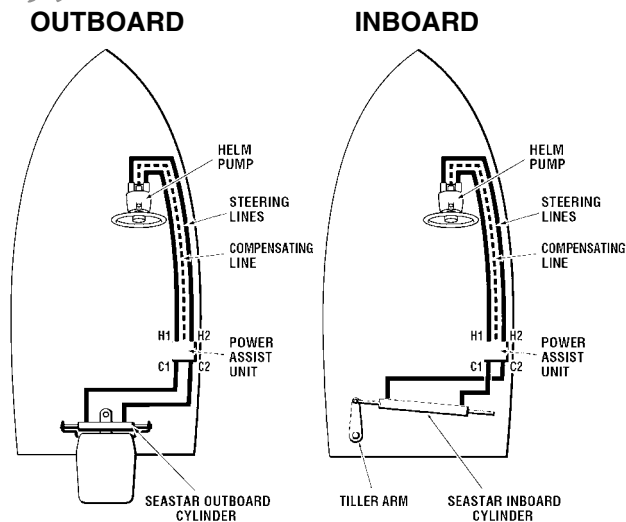
## Ordering Guide:

SYSTEM TYPE	P/A MODULE	COMPENS. LINE TUBE	CONNECTION HOSE KITS	FITTING KIT	BULKHEAD KIT
<b>SEASTAR P/A:</b>					
SeaStar P/A (12V) 15' harness	PA1200	HT5092*	H05105 + H05102	HF5528	HH5512
SeaStar P/A (12V) 25' harness	PA1225	HT5092*	H05105 + H05102	HF5528	HH5512
SeaStar P/A (24V) 15' harness	PA2415	HT5092*	H05105 + H05102	HF5528	HH5512
SeaStar P/A (24V) 25' harness	PA2425	HT5092*	H05105 + H05102	HF5528	HH5512
<b>SEASTAR P/A PRO:</b>					
SeaStar P/A PRO (12V) 3' harness	PA1303	HT5092*	H05705 + H05702	HF5528	HH5512
SeaStar P/A PRO (12V) 7' harness	PA1307	HT5092*	H05705 + H05702	HF5528	HH5512
SeaStar P/A PRO (12V) 15' harness	PA1315	HT5092*	H05705 + H05702	HF5528	HH5512

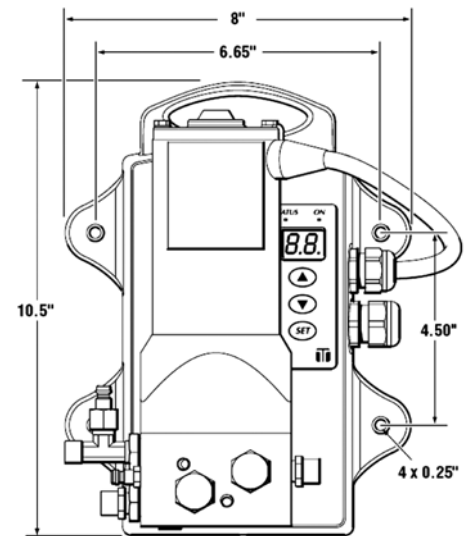
**NOTES:**  
 \* For the pressurized/drive lines, SeaStar Power Assist systems **MUST** use SeaStar Outboard Hoses and SeaStar PRO Power Assist systems **MUST** use SeaStar PRO Steering Hoses. Only the compensating line can be Nylon Tubing.  
 SeaStar P/A is recommended for SeaStar 1.7 and 2.0 standard helms only. (1,000 PSI systems)  
 SeaStar P/A PRO version is for SeaStar PRO helms only and requires use of PRO hose (1,500 PSI systems).  
 Use only the recommended genuine SeaStar components and oil with SeaStar P/A systems.

**QUESTIONS? CONTACT TECH SUPPORT AT 604-270-6899 OR ONLINE AT WWW.TELEFLEXMARINE.COM**

## Typical Installations:



PA12XX/  
PA13XX/  
PA24XX  
dimensions



## Options:

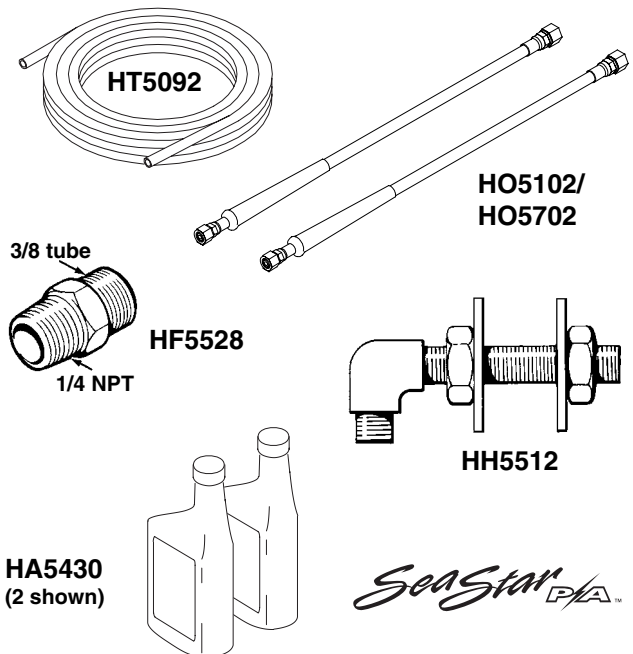
SeaStar P/A Mounting Bracket..... HA1202  
 (Provides flat mounting surface when mounting to floor or when alternate mounting surface is required.)

Dual Ignition Kit ..... HA1201  
 (Connects P/A's wire to 2 engines' ignition circuits so P/A unit stays on if one engine is switched off.)

(Please also see pages for the particular type of SeaStar or SeaStar PRO manual hydraulic system that will be used with this product.)

## Service Items:

SeaStar Oil (1 Quart)..... HA5430  
 Use only genuine SeaStar hose kits and oil with your SeaStar Power Assist system.



HYDRAULIC STEERING SeaStar P/A