

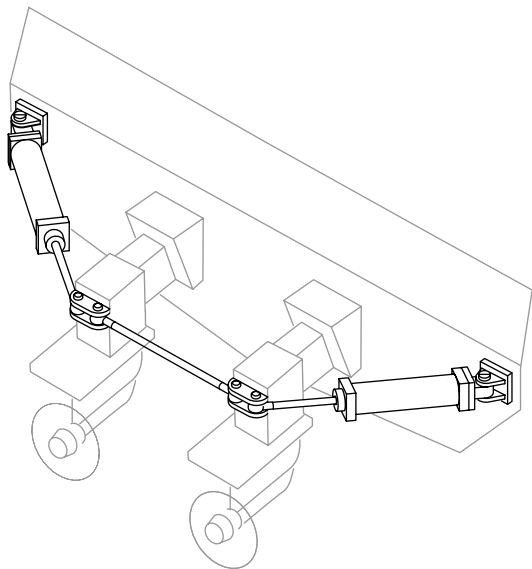
Hynautic stern drive steering

SeaStar®

Capilano™

Hynautic

**CAPILANO™/HYNAUTIC®
HEAVY DUTY STERN DRIVE SYSTEM**



(turns vary by system)

DIMENSIONS: pages 160-164
HOW TO MEASURE: page 84
SERVICE PARTS: pages 148-159
SUPPORT: www.teleflexmarine.com
 or call 604-270-6899

NOTE: When properly installed, these steering systems will connect to stern drive engines using appropriate connection hardware.

This system is designed for stern drive, outboard and inboard boats requiring external cylinders of substantial size and strength. The K-5 cylinders are nickel plated for aesthetics and protection against the elements.

System components are sold separately. The required wing plates and hardware are not available from Teleflex.

Systems can be selected using **either** the easy-to-install Capilano 2-line systems (with variable-displacement helm) **or** the traditional Hynautic 3-line configurations.

Capilano Components:

Capilano 1275V Helm..... HH5275
 (Systems with Capilano helms require the use of Dexron II® type Automatic Transmission Fluid, NOT SeaStar oil.)

External Stern Drive Cylinder K-5 (2 required)
 Copper Tubing 1/2" or 5/8" OD
 Fitting Kit (for 1/2" Copper Tubing) HF5590 or
 Fitting Kit (for 5/8" Copper Tubing) HF5592
 These fitting kits are for one steering station (purchase add-a-station kit for 2nd station).

Capilano Steering Fluid Dexron II® ATF

Options:

Add-A-Station Fitting Kit (1/2" tubing)..... HF5591
 Add-A-Station Fitting Kit (5/8" tubing)..... HF5593
 Helm Remote Fill Kit (through-dash) HA5450

Service Items:

Steering Fluid Dexron II® ATF
 Steering Wheel Locknut 747521

Tubing Diameters:

HELM TYPE	DISTANCE — CYLINDER TO FURTHEST HELM	
	40 Feet or Less	More Than 40 Feet
ALL	1/2" O.D. Copper Tubing	5/8" O.D. Copper Tubing

heavy duty hydraulic stern drive steering for twins

Hynautic Components:

- Hynautic 4.0 cu. in. helm
(1" straight shaft)H-42 or
- Hynautic 4.0 cu. in. helm
(3/4" tapered shaft) H-42-02 or
- Hynautic 5.5 cu. in. helm
(1" straight shaft)H-41 or
- Hynautic 5.5 cu. in. helm
(3/4" tapered shaft) H-41-02 or
(See application guide.)
- H-40 Fittings Kit for Main Station.....HF-21
- H-40 Fittings Kit for Second StationHF-22
- External Stern Drive Cylinder K-5 (2 required)
(See application guide. Fittings available separately.)
- Reservoir - Standard (2 quart)..... R-06
- Relief Valve (950 PSI) MSV-21
- Relief Fittings MSVF-07
- Relief Fittings..... MSVF-13
- Copper Tubing..... 1/2" or 5/8" OD
- Fitting Kit (for 1/2" Copper Tubing)HF5590 or
- Fitting Kit (for 5/8" Copper Tubing) HF5592
These fitting kits are for one steering station (purchase add-a-station kit for 2nd station).
- SeaStar Oil (1 Quart Mil Spec H5606)HA5430

Options:

- Reservale (950 PSI, top read, 5/16)RV-60
- Reservale (950 PSI, frt.read, 5/16, w/pump) ..RV-67
- Add-A-Station Fitting Kit (1/2" tubing)..... HF5591
- Add-A-Station Fitting Kit (5/8" tubing)..... HF5593

Service Items:

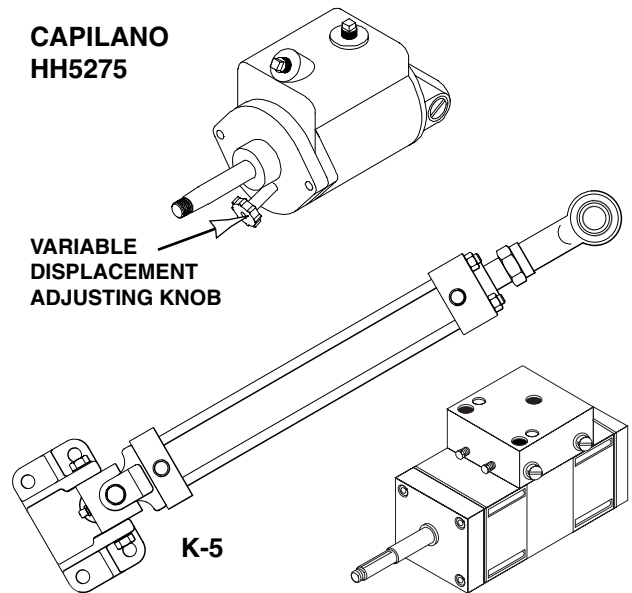
- Reservoir (2 quart, with hand pump) R-07
- Reservoir (1 quart, with hand pump) R-11
- Reservoir (2 quart)..... R-12
- Relief Valve (500 PSI)MSV-19
- Reservale (500 PSI, top read, 3/8)RV-55
- Reservale (500 PSI, top read, 3/8, w/pump) . RV-55P
- Reservale (500 PSI, top read, 5/16, w/pump) ..RV-57
- SeaStar Oil (1 Gallon)HA5440

Helm Options:

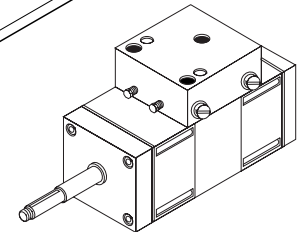
HELM PART #	HELM DISPLACEMENT RANGE	NUMBER OF WHEEL TURNS LOCK-TO-LOCK	RELIEF VALVE SETTING
USING CAPILANO (VARIABLE DISPLACEMENT) HELM:			
HH5275	2.7-5.4 cu.in.	10.3-5.2	1000 PSI
USING HYNAUTIC (FIXED DISPLACEMENT) HELMS:			
H-42	4.0 cu. in.	7.0	950 PSI
H-41	5.5 cu. in.	5.1	950 PSI

**CAPILANO
HH5275**

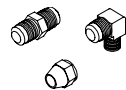
**VARIABLE
DISPLACEMENT
ADJUSTING KNOB**



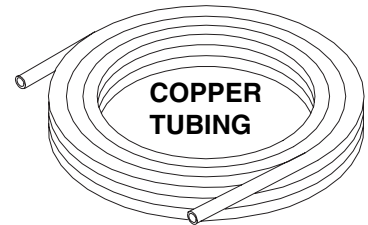
K-5



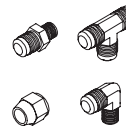
H-42/H-41



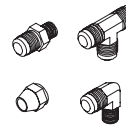
HF5590



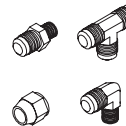
**COPPER
TUBING**



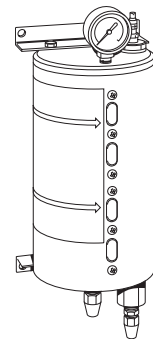
HF5592



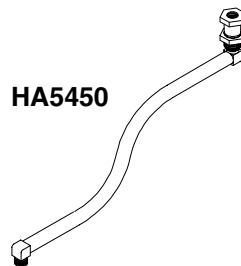
HF5591



HF5593

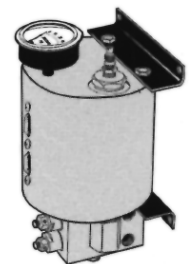


**RESERVOIR
(R-06 shown)**



HA5450

**RESERVAVE
(RV-55 shown)**



747521



**RELIEF VALVE
(MSV-21 shown)**

