

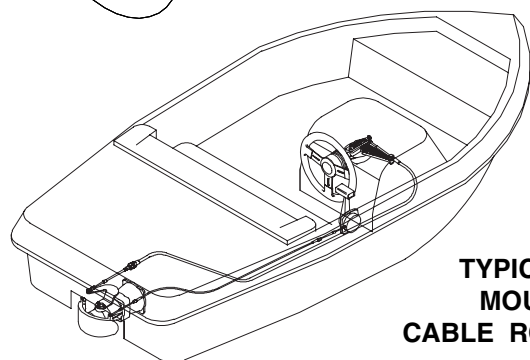
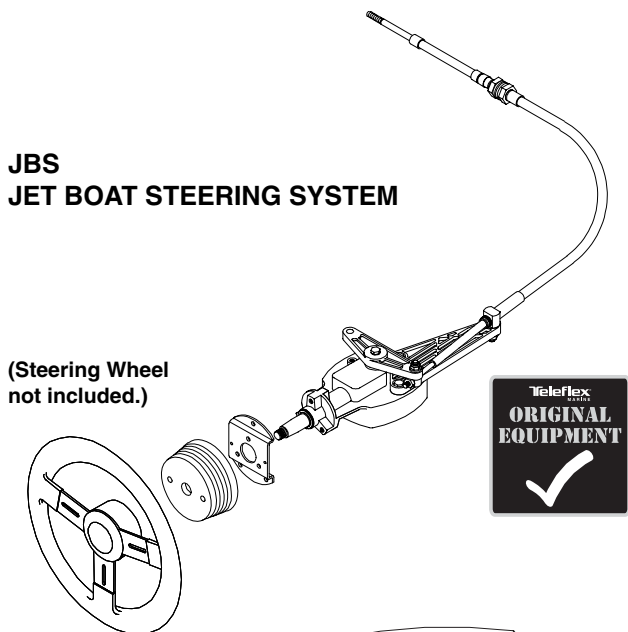
JBS jet boat steering

JBS BY TELEFLEX

Jet Boat Steering

JBS JET BOAT STEERING SYSTEM

(Steering Wheel
not included.)



**TYPICAL JBS
MOUNTING/
CABLE ROUTING**

(135° or 270° turn arc)

**NEW VERSIONS OF TILT
COMING SOON!
(Contact Teleflex Marine
for Details.)**

NOTE: When properly installed, this steering system will connect to Mercury Sport Jet® and OMC Turbo Jet® and similar small jet drives, using the appropriate nozzle connection kit (and possibly through-hull fittings which are not available from Teleflex). Please contact Teleflex Marine Technical Service (610-495-7011 or www.teleflexmarine.com) if you need assistance.

Just for Jets! JBS™ by Teleflex means Jet Boat Steering! Designed exclusively for jet boats, JBS features a choice of two steering arcs, a real steering cable (not a control cable) plus an assortment of mounting options for virtually any boat! Nobody knows steering like Teleflex!

Applications:

Teleflex JBS is recommended for use in all jet boat applications powered by Mercury® Sport Jet or OMC® Turbo Jet drives **up to 175 HP.**

Contact Teleflex Marine at 610-495-7011 for information on other applications.

Tilt
STEERING
available!

Features:

- Ultra-compact helm with stylish 4.4" bezel is easy to install and very rugged.
- 135° or 270° turning arc lock-to-lock.
- Uses a true steering cable (increased cable strength with stainless steel inner core and output ends.)
- 90° dash mount. (Tilt Steering option available!)
- 90° or 180° cable entry into helm allows alternate cable routing. (Looking at dash, options are 9:00, 12:00 or 3:00 routing positions.)
- Built-in steering stops prevent additional cable stress in hard over positions.
- Standard 3/4" round tapered steering shaft, 3.5" total allowable cable travel.
- Mercury® & OMC® nozzle/gate connection kits.
- Stainless steel cable output ends.
- Meets A.B.Y.C./N.M.M.A. requirements.

mechanical steering for SportJet®, TurboJet® & similar jets

Complete Systems:

This steering system is sold by components. Select helm, bezel and cable or Tilt helm, Tilt Mechanism and cable from items listed below. *Note engine type and desired steering arc.*

Components:

JBS Helm (135° turning arc)..... SH5087P or
JBS Helm (270° turning arc).....SH5088P

JBS Steering CableSSC219XX
(XX = length in feet; measurement is length from tip to tip.)

JBS Bezel & Mounting Hardware Kit.SB39452P

Nozzle Connection Kit (Mercury)...SA27591P or
Nozzle Connection Kit (OMC) SA27590P

Options:

JBS Tilt Steering Helm (135° arc).... SH91678P*
* Includes SH91500 tilt mechanism for complete Tilt Steering system installation.

JBS Tilt Steering Helm (270° arc).... SH91679P*
* Includes SH91500 tilt mechanism for complete Tilt Steering system installation.

Performance Tilt MechanismSH91500P

Service Items:

Steering Wheel Hardware Kit2745417P

Helm Cable Bracket Hardware Kit..... 3945315

Helm Parts (see diagram at right):

1. Pivot – cable conduit fitting..... 3941615
 2. Bushing for cable cond. ftg. pivot 3604811
 3. Pivot – cable terminal end3941117
 4. Bushing for cable term. end pivot..... 3828412
- The following diagram items are included in Kit # 3945315:*
5. Locknut (3/8-24) – conduit fitting pivot
 6. Lock Washer for 3/8-24 Locknut
 7. Locknut (1/4-20) – cable terminal end pivot
 8. Lock Washer for 1/4-20 Locknut
 9. 3 Hex Bolts (anti-vibratory patch) – bracket

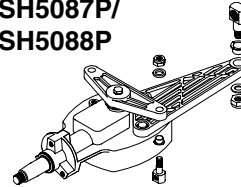
Use only genuine Teleflex replacement hardware specifically designed for this product. Do not substitute other parts.

If you are replacing a jet boat steering cable, you must determine the part number of the existing steering cable. SSC219 cables are ONLY for JBS systems shown on this page. For assistance, please contact Tech Service at 610-495-7011 or online at www.tfxmarine.com

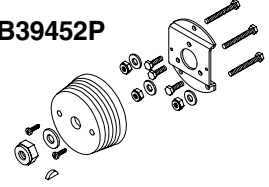
JBS BY TELEFLEX

Jet Boat Steering

SH5087P/
SH5088P



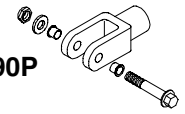
SB39452P



SSC219XX



SA27591P

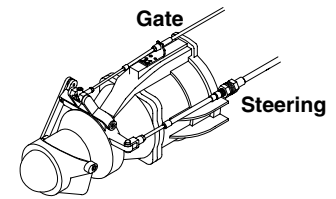
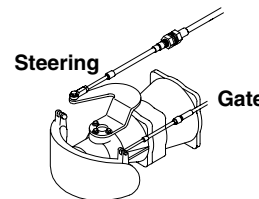


SA27590P

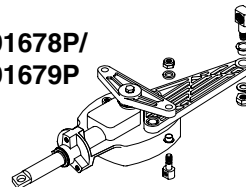
TYPICAL CONNECTIONS AT NOZZLE:

Mercury Sport Jet

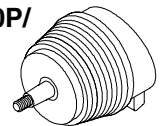
OMC Turbo Jet



SH91678P/
SH91679P



SH91500P/



2745417P

