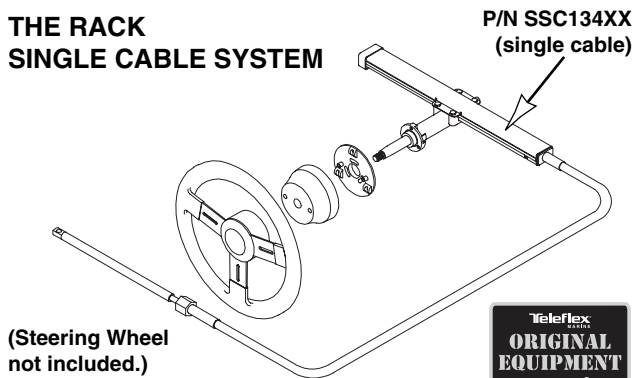


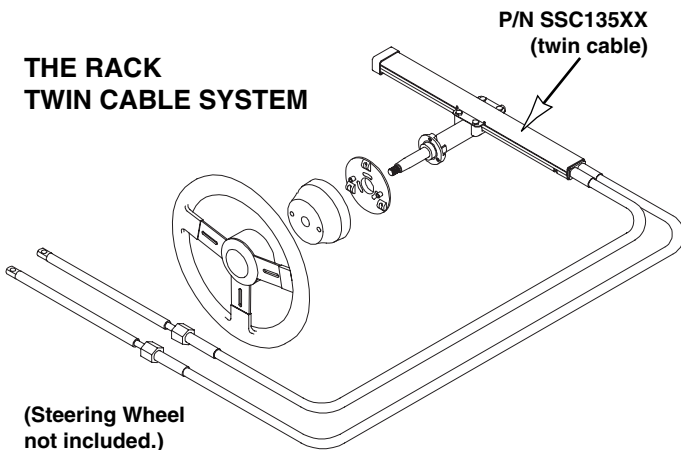
The Rack sterndrive steering

Teleflex[®] MARINE

THE RACK SINGLE CABLE SYSTEM



THE RACK TWIN CABLE SYSTEM



(4 turns lock-to-lock)

**NEW VERSIONS OF TILT
COMING SOON!
(Contact Teleflex Marine
for Details.)**

NOTE: When properly installed, this steering system will connect to engines with ABYC standard tilt tubes, using engine manufacturer's link arm. For other engines, see Steering Connection Kits section for options.

Traditional Teleflex mechanical steering is still the choice for stern drives, inboards and other power assisted applications. It's just right for power steered boats in which No FeedBack™ systems are not required. Our new Rack features the precision and comfort of four turns lock-to-lock with a cable and helm that install easily from behind the dash. In single cable configurations, this is the best 4-turn choice for power-steered boats.

Applications:

Virtually all power-assisted stern drive boats with wheels up to 16" diameter.

Back Mount Rack Replaces 1984-date Teleflex "The Rack" and Morse Command 200® steering without dash modification. (Requires use of SSC134XX Back Mount Rack cable.)

For single station use only.

Components are available for dual cable systems, but we recommend No-FeedBack steering for all dual cable steered, non-power-assisted outboards and stern drives. See the NFB Pro Rack Dual Cable and SeaStar PRO sections of this catalog.

Tilt
STEERING
available!

Features:

- Precise, easy 4 turns lock-to-lock.
- Kits include: cable, helm, 90° bezel and hardware.
- Standard 3/4" round tapered steering shaft.
- Stainless steel cable output ends.
- Fast, easy installation: back mount design allows quick placement in dash PLUS mounting hardware fits industry-standard Teleflex and Morse rack holes.
- Meets A.B.Y.C. standards.
- Meets N.M.M.A. certification requirements.

mech. rack steering, most boats with power-assist steering

Complete System:

BM Rack Steering Kit
(single cable) SS141XX

(Kits available with steering cable lengths from 8-23 feet. If either a longer or shorter cable is required, please order your system by components, which are listed below.)

(Twin cable Back Mount Rack systems are sold as service components; see listing below for helm, bezel and cable numbers.)

“THE RACK”
(BACK MOUNT RACK) SINGLE CABLE STEERING KIT



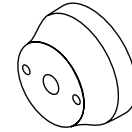
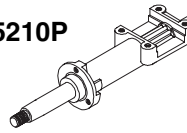
Components:

Back Mount Rack Helm (single/dual) ..SH5210P

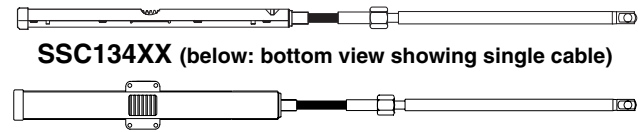
Back Mount Rack Single CableSSC134XX
(XX = cable length in feet. A 14' SSC134 would be SSC13414.)

Back Mount Bezel (90°)..... SB39526P

SH5210P



SB39526P



SSC134XX (below: bottom view showing single cable)

Options:

BM Rack Tilt Dash Module SH1535210
Includes tilt helm and mechanism. Easy way to upgrade to Tilt or replace older Tilt systems. Requires SSC134 or SSC135 cable.

BM Rack Tilt Helm (single/dual) SH91610P*
* Requires SH91500 tilt mechanism to complete Tilt Steering system installation.

Performance Tilt MechanismSH91500P

TFXTREME® Rack Single CableSSC154XX
Use this cable for minimal backlash & superior steering response.
(XX = cable length in feet. A 14' SSC134 would be SSC15414.)

Dash Wedge Kit (10°)..... SB27448P

Dash Wedge Kit (20°)..... SB27449P

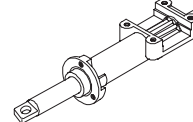
Back Mount Rack Friction Device..... 3953114P

Cable Gard (fits most tilt tubes) SA39329P

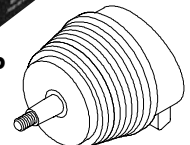
SH1535210
TILT DASH MODULE



SH91610P

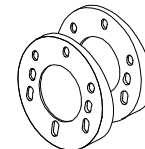
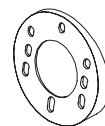


SH91500P



SSC154XX (TFXTREME Rack single cable)

SB27448P

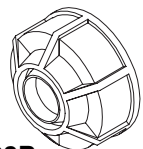


SB27449P

3953114P



SA39329P

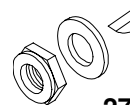


SSC135XX (below: bottom view showing twin cable)

Service Items:

Back Mount Rack Dual Cable.....SSC135XX†
† For dual rack & pinion steered stern drives. If steering is NOT power-assisted, upgrading to NFB Pro Rack is recommended.

Steering Wheel Hardware Kit2745417P



2745417P

NOTE: Teleflex rack cables SSC134XX, SSC135XX and SSC154XX DO NOT replace the SSC124XX or any Morse Rack & Pinion cables and can only be used with current generation Teleflex Rack & Pinion helms.

