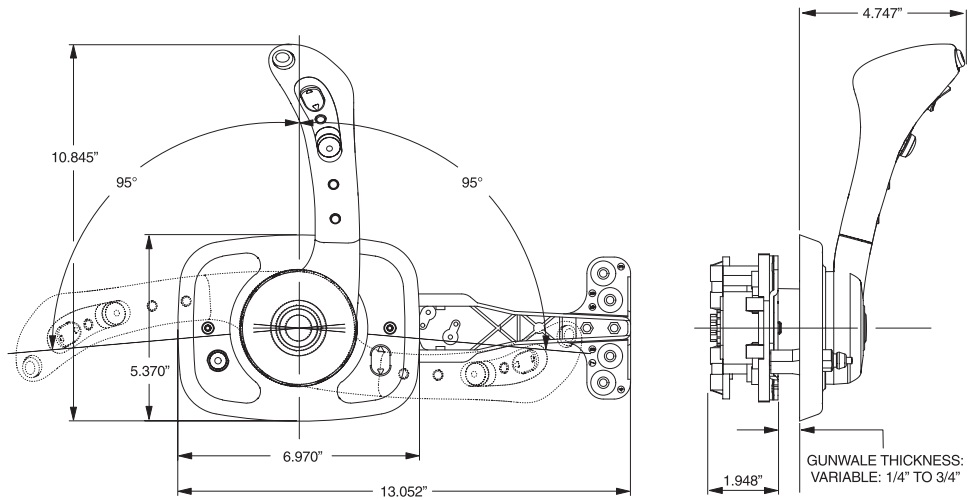
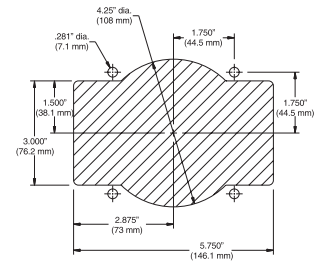


Teleflex Marine Controls

CH1700

Morse

MOUNTING CUTOUT DIMENSIONS:

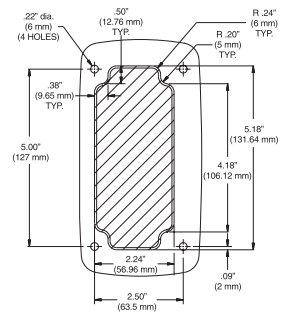


CONTROLS dimensions

CH7500/CH7600

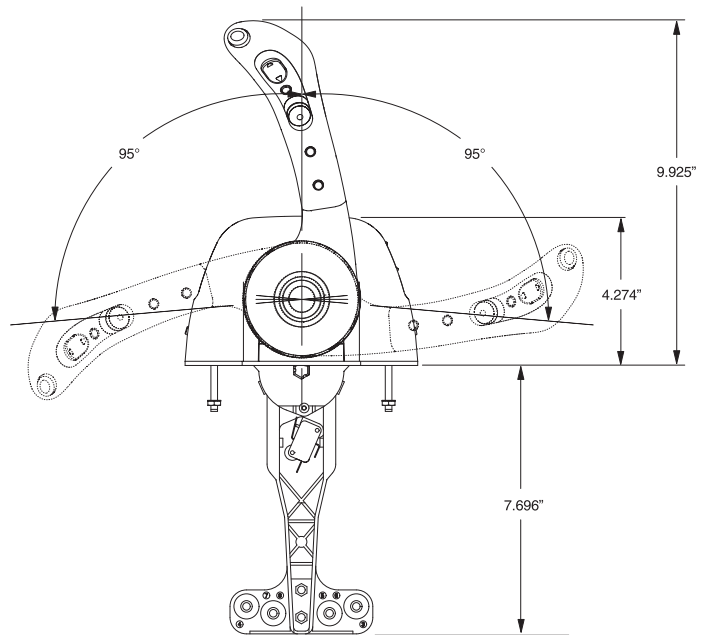
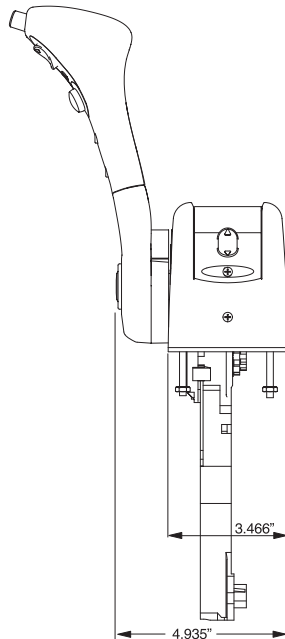
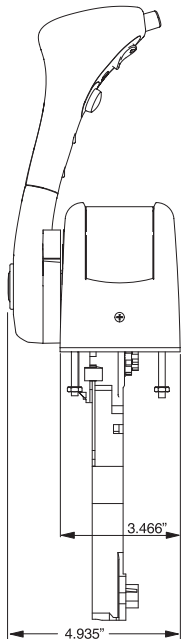
Morse

MOUNTING CUTOUT DIMENSIONS:



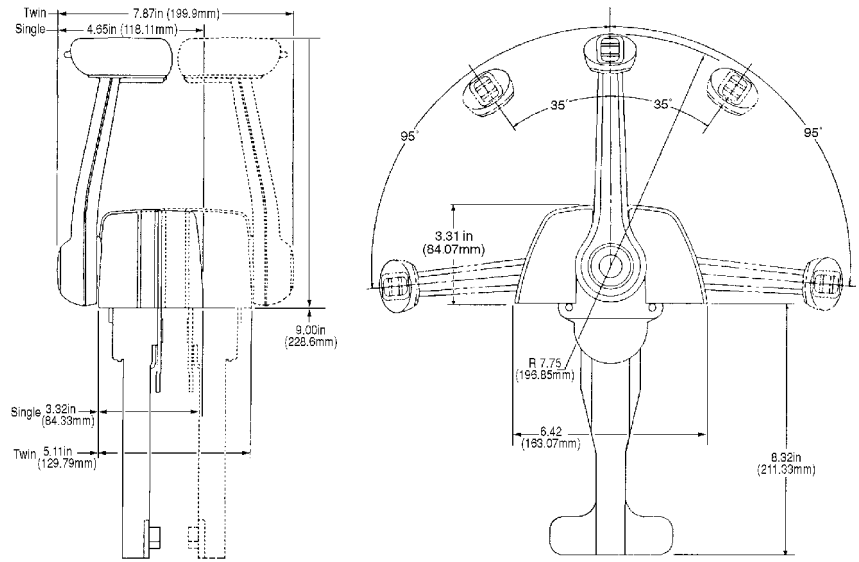
CH7500 (FRONT VIEW):

CH7600 (REAR VIEW):



SL-3
Top Mounts

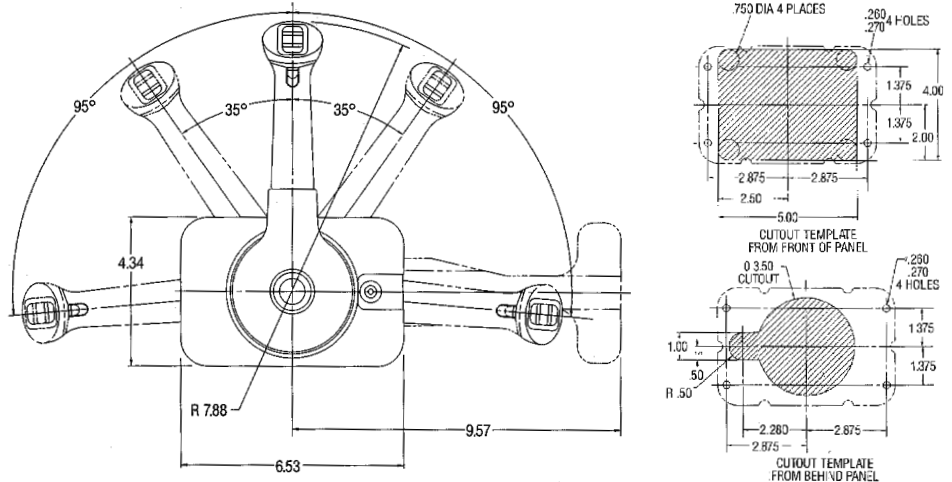
Morse



SL-3
Side Mount

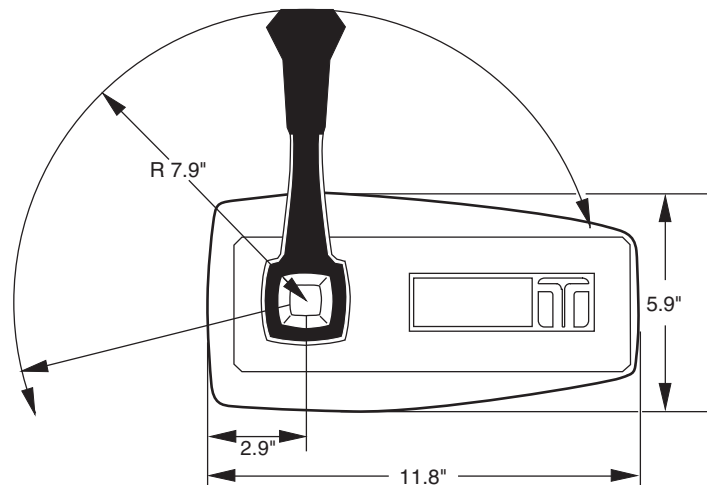
Morse

MOUNTING CUTOUT DIMENSIONS:



CH2600/CH2700

Morse

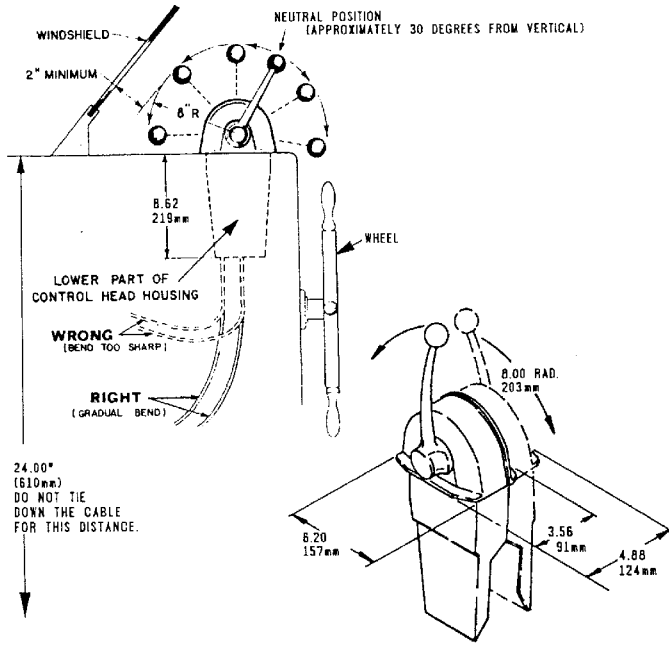
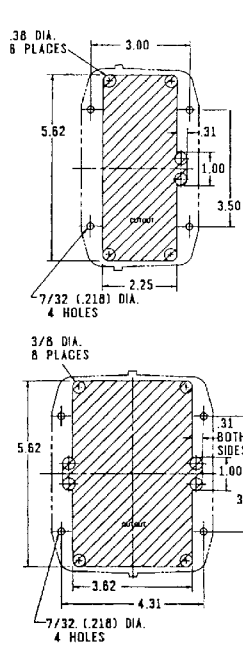


Teleflex Marine Controls

MT-3

Morse

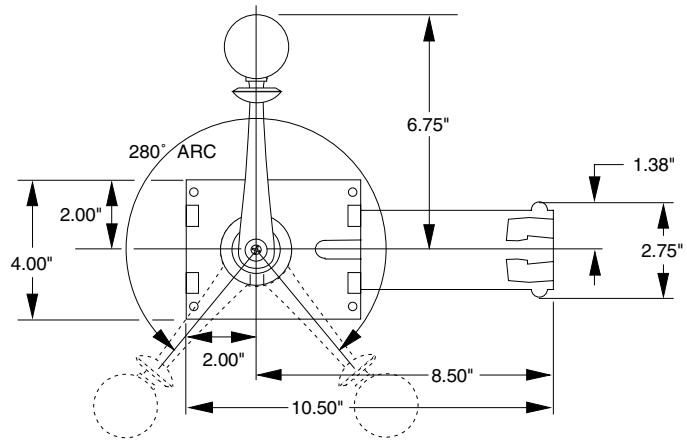
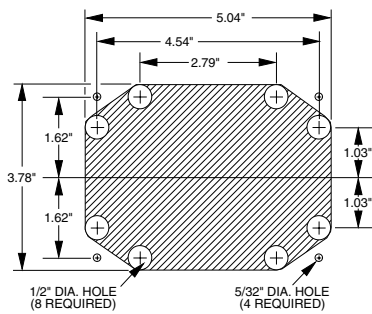
**MOUNTING
CUTOUT
DIMENSIONS:**



CH2200/CH2300

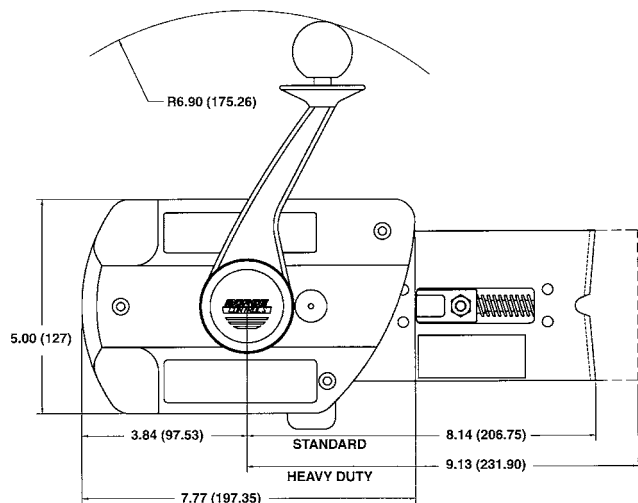
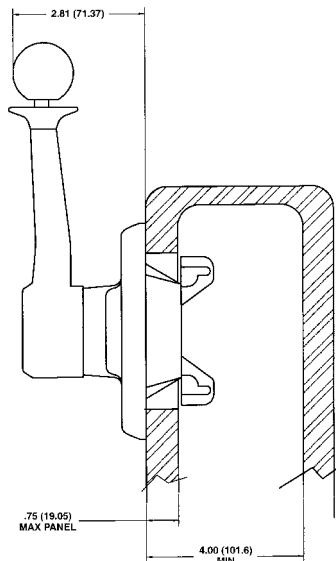
Morse

**MOUNTING
CUTOUT
DIMENSIONS:**



MV-3

Morse

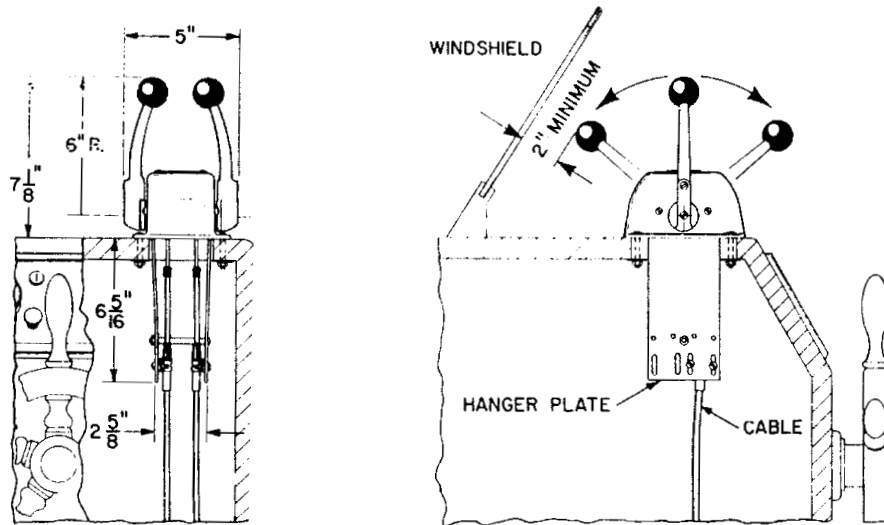


MV-3 CONTROL

CONTROLS dimensions

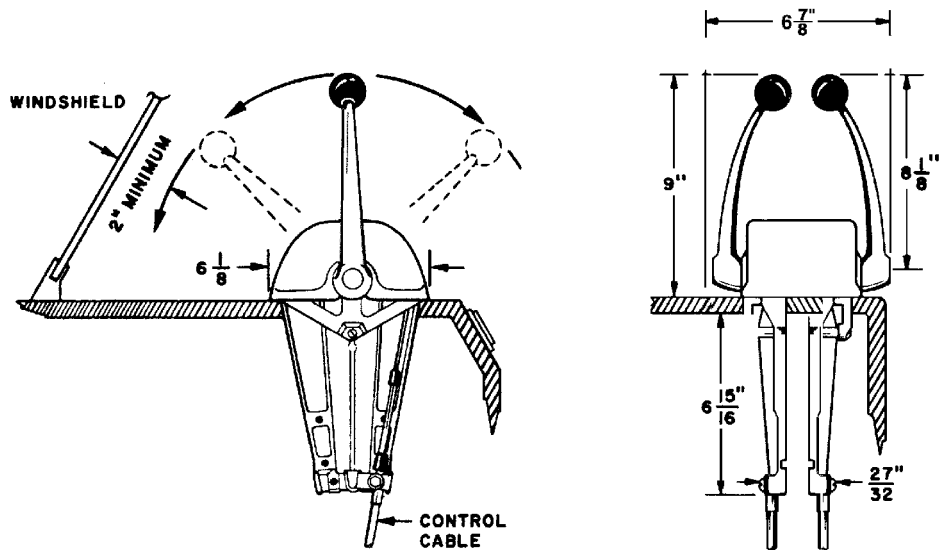
S control

Morse.



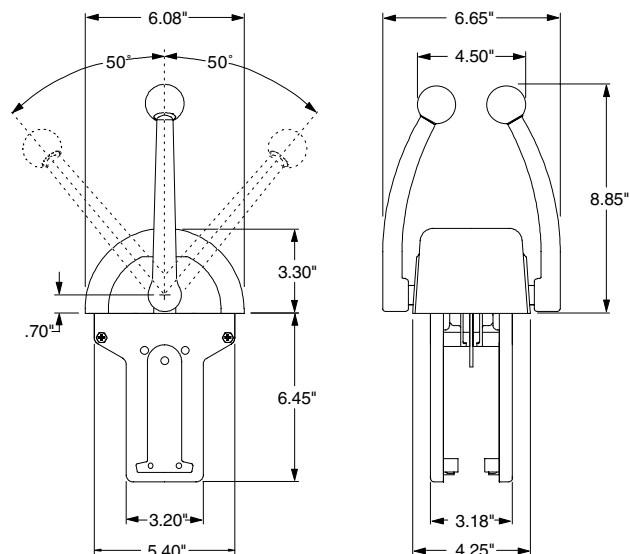
SR control

Morse.



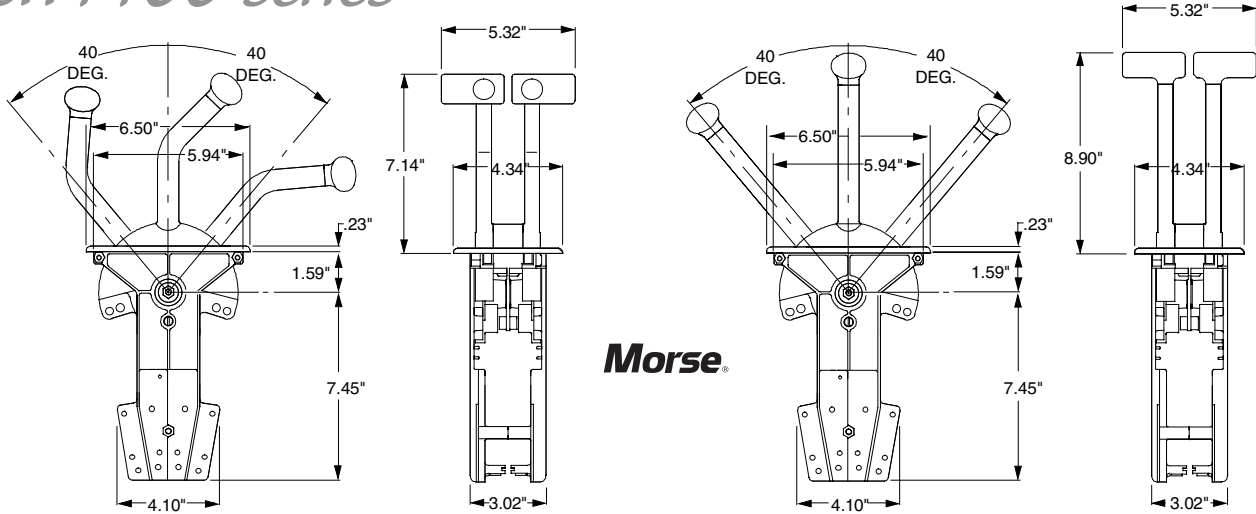
CH5600

Morse.



Teleflex Marine Controls

CH4400 series

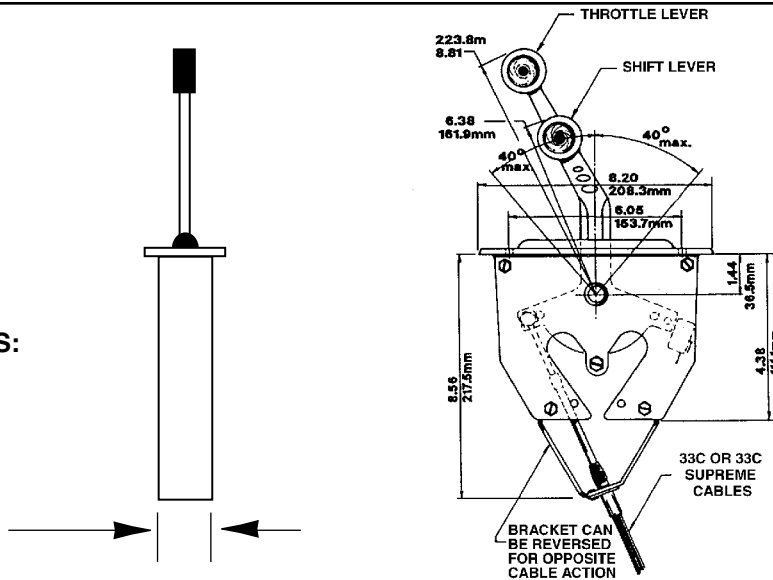


MY controls

Morse

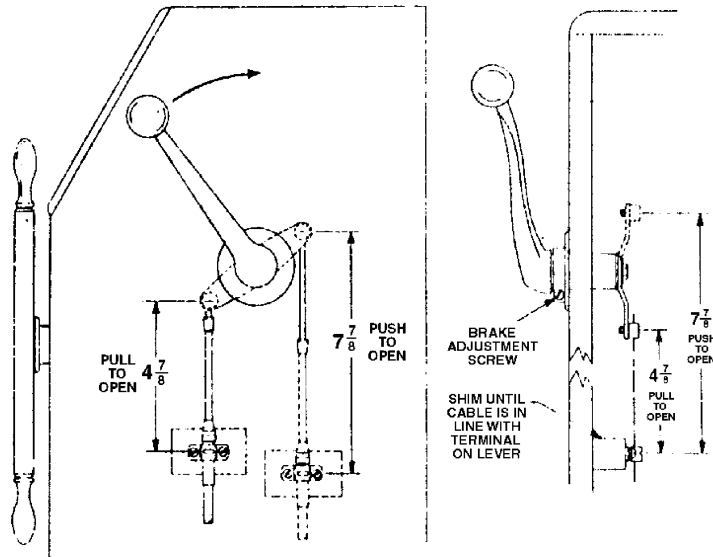
CUTOUT HOLE WIDTHS:

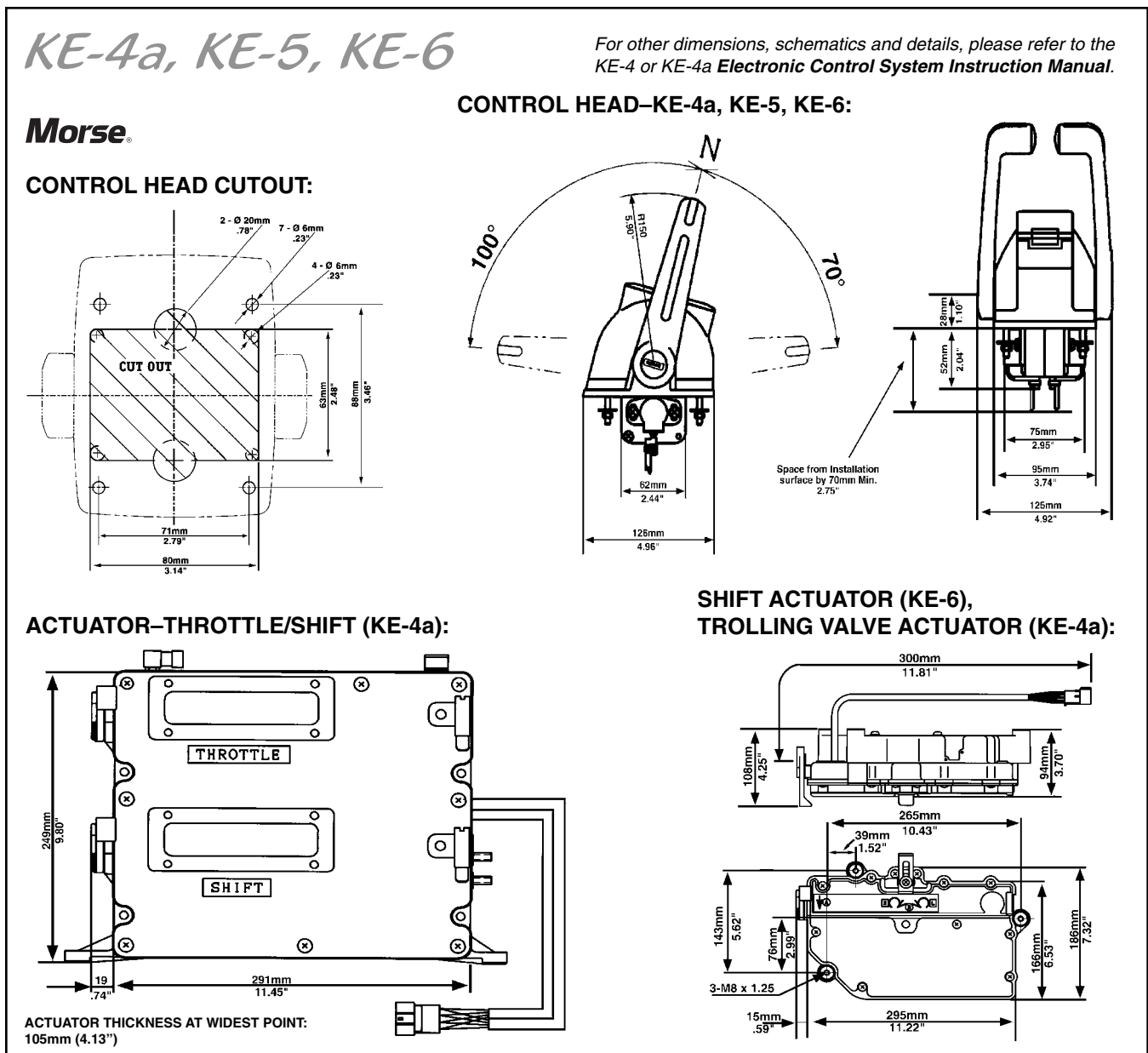
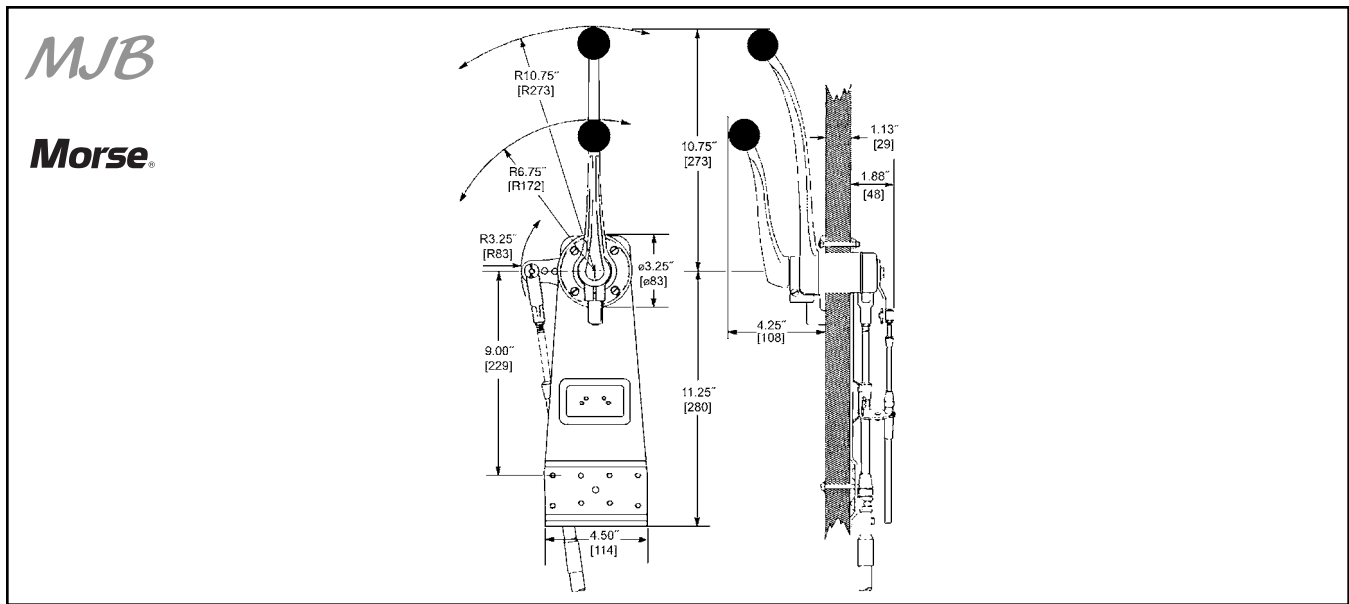
- 1 LEVER: 1.12" (28.4 mm)
- 2 LEVER: 2.06" (52.4 mm)
- 3 LEVER: 2.99" (75.9 mm)
- 4 LEVER: 3.94" (100 mm)
- 5 LEVER: 4.87" (123.7 mm)
- 6 LEVER: 5.81" (147.6 mm)



ST/STB

Morse





CONTROLS dimensions

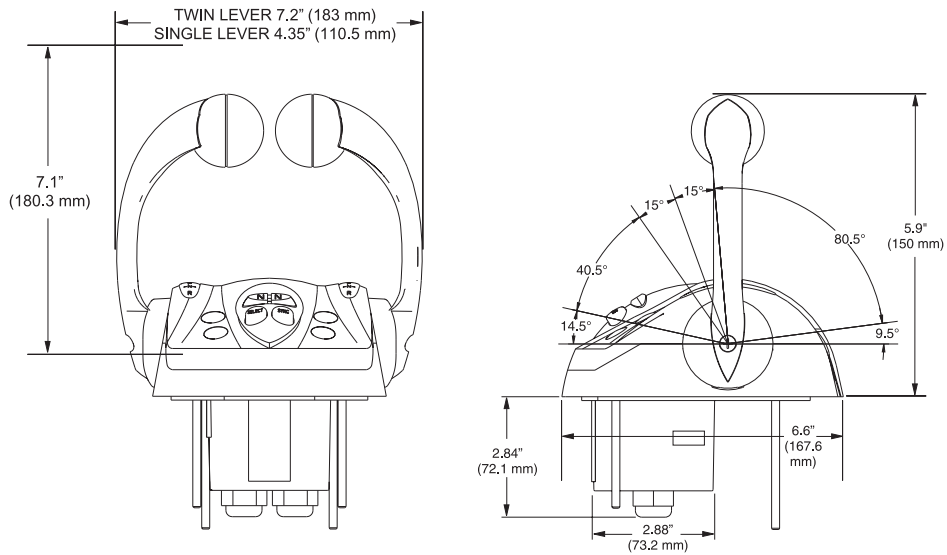
Teleflex Marine Controls

i6000

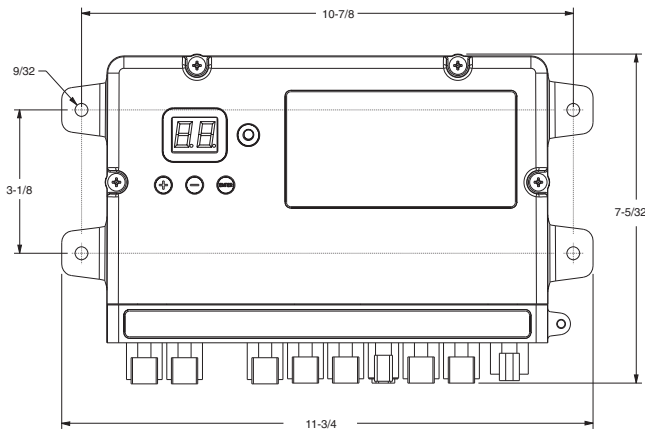
For other dimensions, schematics and details, please refer to the i6000 manual. For dimensions of CH5600e & CH44XXe, please see diagrams for CH5600 and CH4400 on previous pages.

Teleflex
MARINE

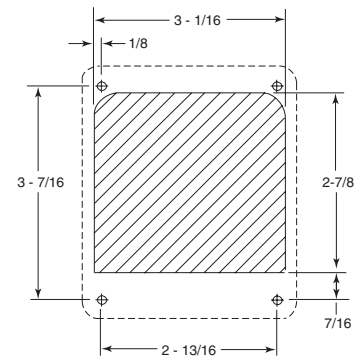
TOP MOUNT CONTROLS:



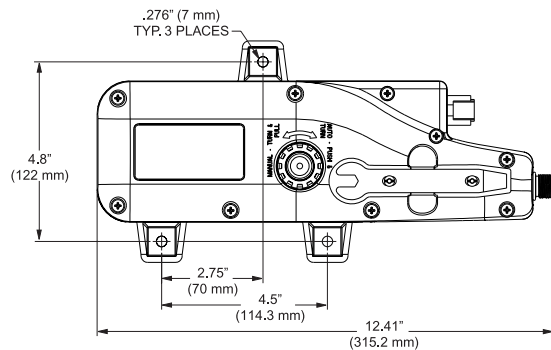
ECU:



TRIPLE ENGINE SWITCH PANEL CUTOUT:



ACTUATOR:



CONTROLS dimensions